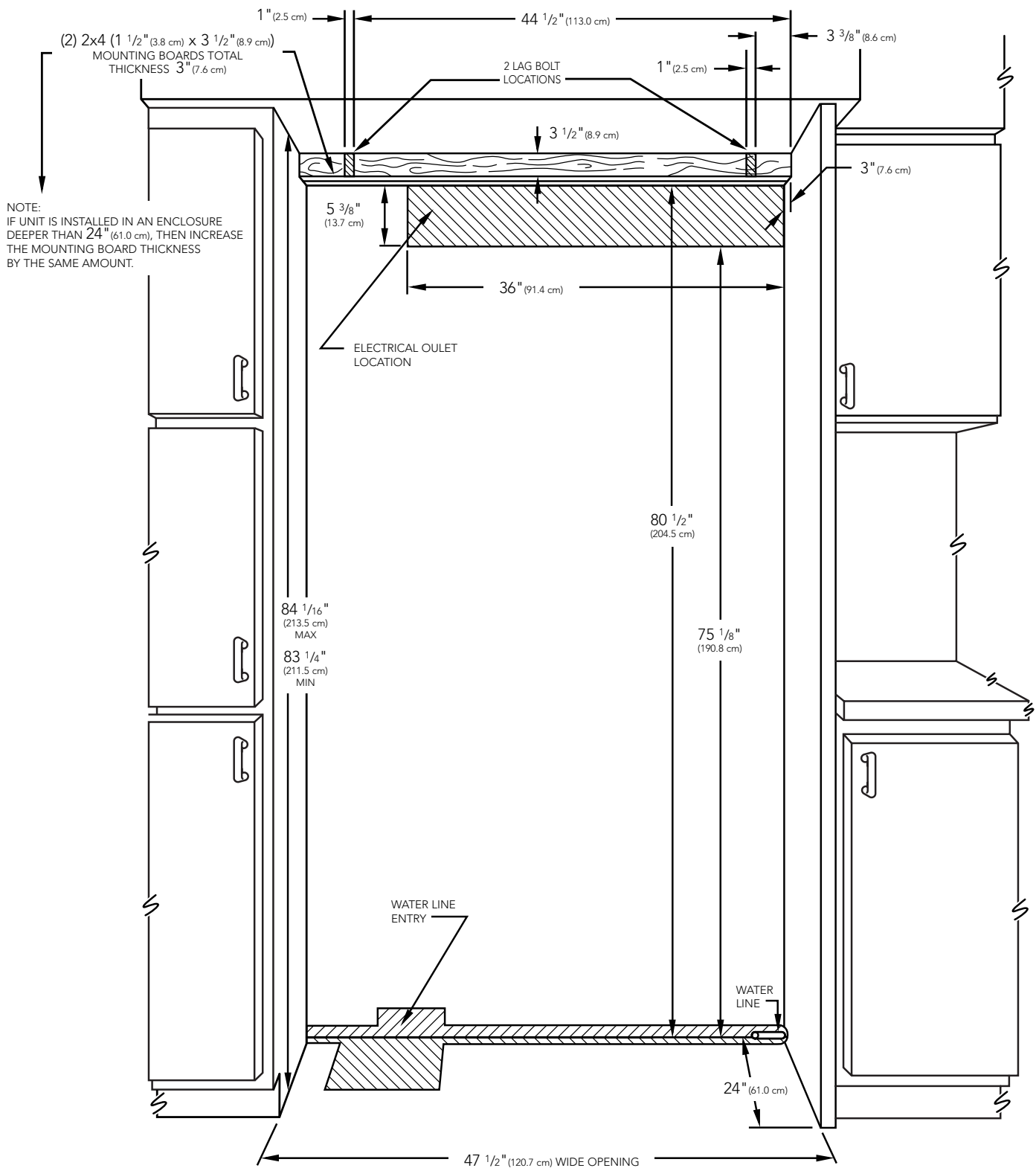


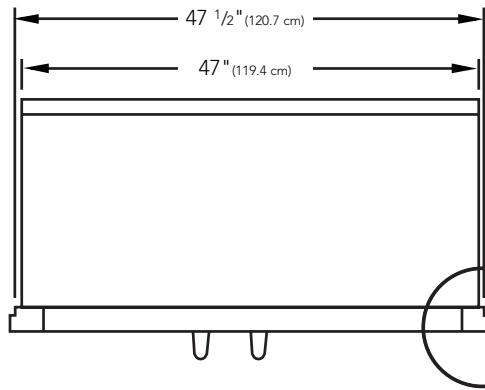
VCSB 48" wide side-by-side refrigerator/freezer – dimensions

Cutout dimensions

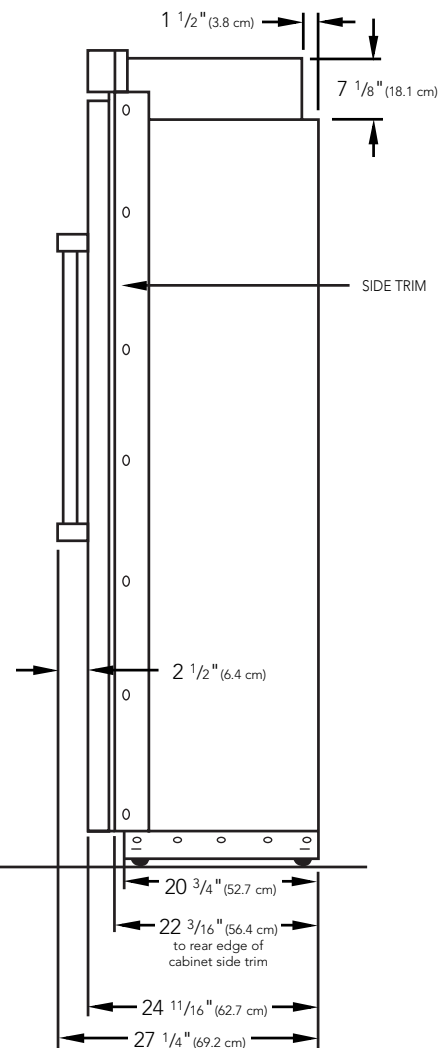
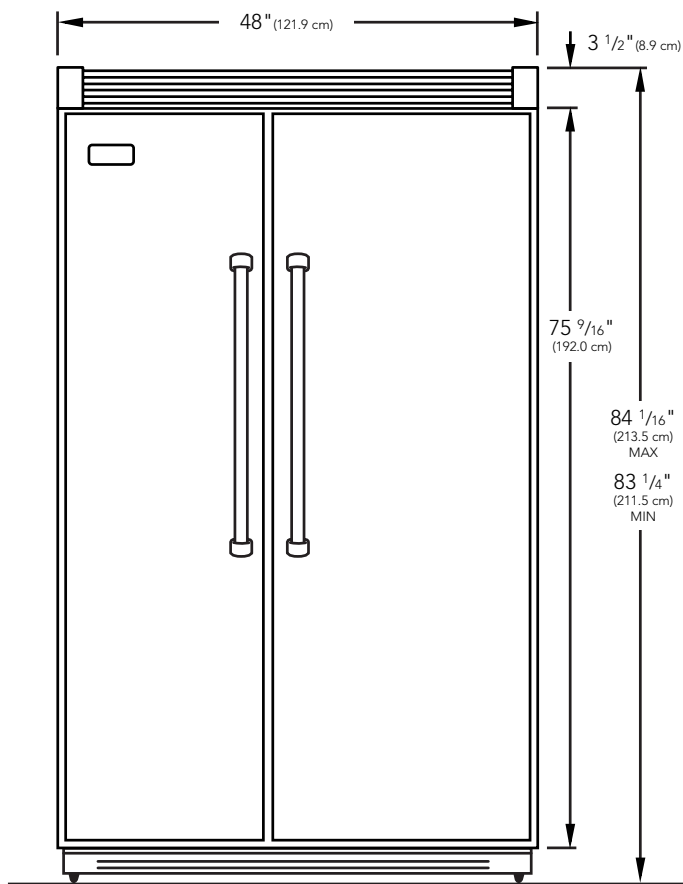
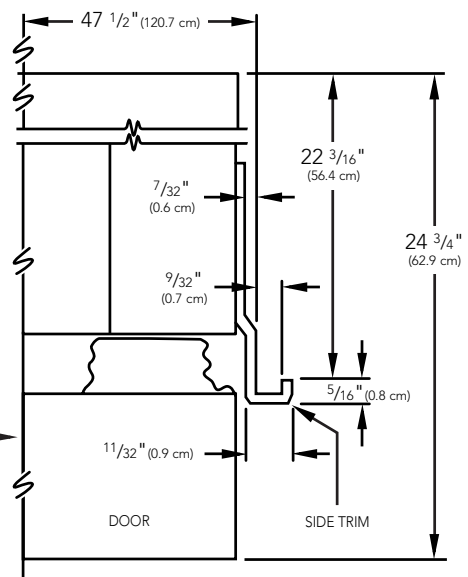


VCSB 48" wide side-by-side refrigerator/freezer – dimensions

Front



Side



Basic specifications

Description	VCSB 48" WIDE REFRIGERATORS
	VCSB483
Overall Width	48" (121.9 cm)
Overall Height from Bottom	Minimum 83 1/4" (211.5 cm); Maximum 84 1/16" (213.5 cm)
Overall Depth from Rear	To rear edge of side trim – 22 3/16" (56.1 cm) To front of top grill – 24 11/16" (62.7 cm) To end of handle bracket – 27 1/4" (69.2 cm)
Cutout Width	47 1/2" (120.7 cm)
Cutout Height	Minimum 83 1/4" (211.5 cm); Maximum 84 1/16" (213.5 cm)
Cutout Depth	Minimum 24" (61.0 cm)
Electrical Requirements	115VAC/60Hz – 5' (152.4 cm); 3-wire cord with grounded 3-prong plug attached to product
Maximum Amp Usage	9.9 amps
Inlet Water Requirement	1/4" copper tubing – minimum 20 psi; maximum 120 psi
Overall Interior Dimensions	Refrigerator – 18.5 cu. ft. (.55 cu. meters); Freezer – 8.9 cu. ft. (.27 cu. meters); Total capacity – 27.4 cu. ft. (.82 cu. meters)
Approximate Shipping Weight	575 lbs. (258.8 kg)