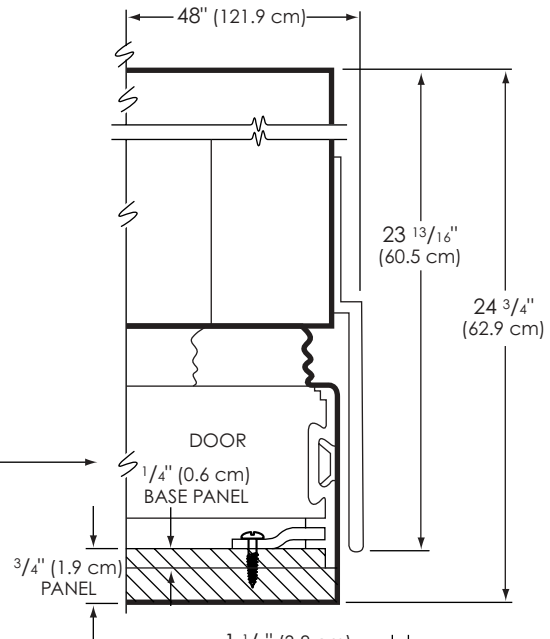
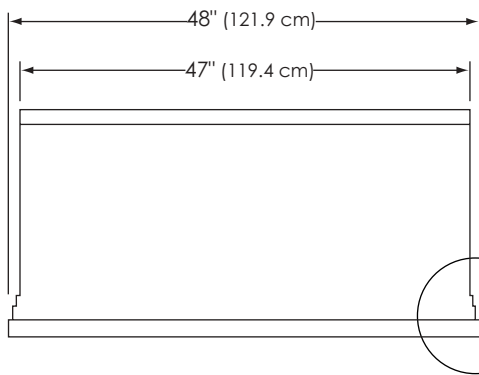
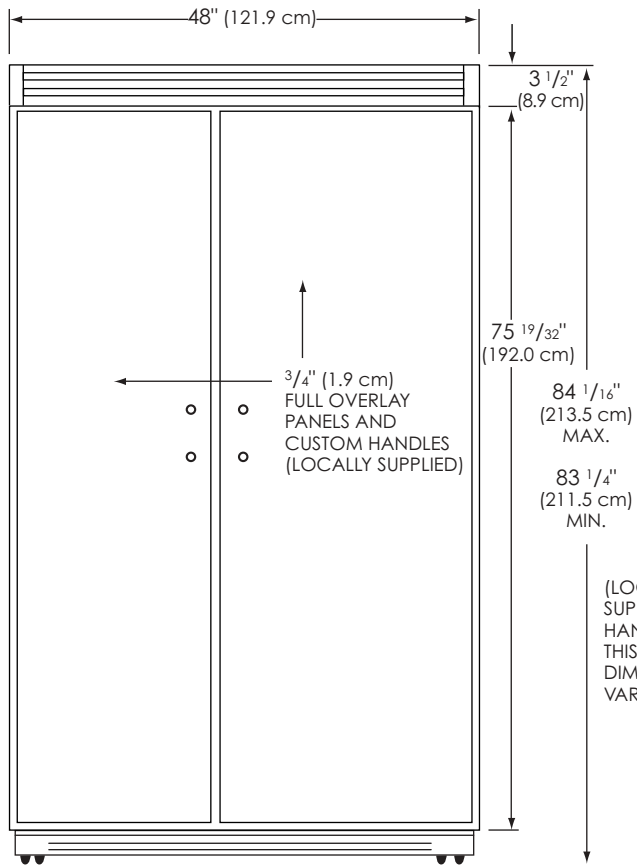


SIDE-BY-SIDE REFRIGERATOR/FREEZER FULL OVERLAY MODEL – DIMENSIONS 48" WIDTH

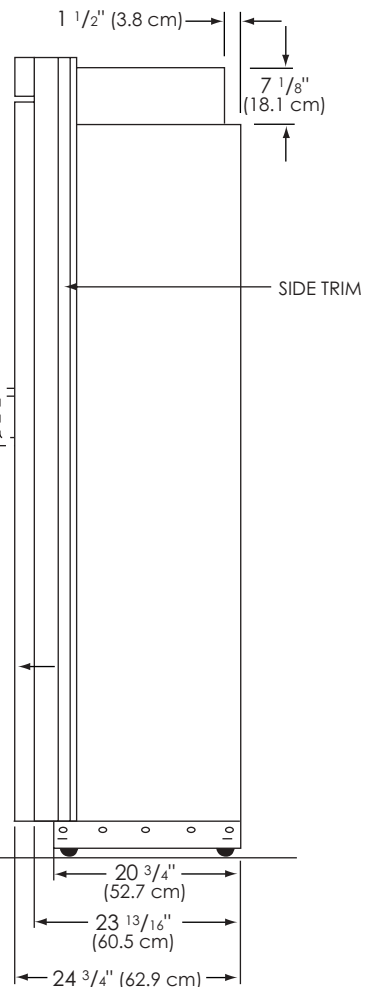
Overhead



Front



Side



BASIC SPECIFICATIONS

DESCRIPTION	DFSB482 Full Overlay
Overall Width	48" (121.9 cm)
Overall Height from Bottom	Minimum 83 1/4" (211.5 cm) Maximum 84 1/16" (213.5 cm)
Overall Depth from Rear	24 3/4" (62.9 cm) to front edge of door
Cutout Width	48" (121.9 cm)
Cutout Height	Minimum 83 1/4" (211.5 cm) Maximum 84 1/6" (213.5 cm)
Cutout Depth	25" (63.5 cm)
Electrical Requirements	120VAC/60Hz, 15 amp circuit, 3-wire cord with grounded 3-prong plug attached to product
Maximum Amp Usage	9.7 amps
Inlet Water Requirements	1/4" copper tubing – Minimum 15 psi; Maximum 120 psi
Overall Interior Capacity	Refrigerator – 18.8 cu. ft. (.53 cu. meters) Freezer – 9.8 cu. ft. (.27 cu. meters) Total capacity – 28.6 cu. ft. (.80 cu. meters)
Approximate Shipping Weight	575 lb. (258.8 kg)

* Overall depth is for product only and does not include full overlay or raised panel thickness. Refer to installation instructions for proper panel/cabinet design and installation.