

GENERAL INFORMATION

Unpack

1. Remove banding from bottom of carton. Lift carton up and off of the wine cellar
2. Remove all tape and packaging material from the outside and inside of the cabinet.
3. Keep all carton packaging until your wine cellar has been thoroughly inspected and found to be in good condition.

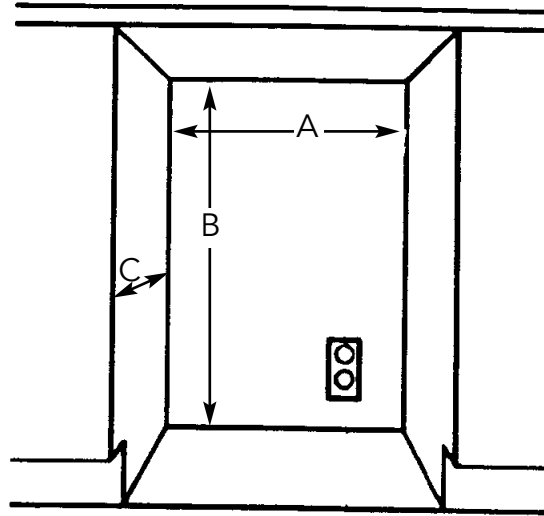
AREA REQUIREMENTS

1. Place unit so the front side will be completely unobstructed to provide proper air flow. The unit may be closed in on the top and three sides, but the front **MUST BE** unobstructed for air circulation and proper operation. Installation should be such that the cabinet can be moved for servicing if necessary.
2. Unit should be in a well ventilated area with temperature above 55°F (13°C) and below 110°F (43°C). Best results are obtained at temperatures between 65°F (18°C) and 80°F (27°C) for built-in models and 65°F (18°C) and 90°F (32°C) for freestanding models.
3. Provisions for electricity should be determined before placing unit in proper place.

UNDERCOUNTER CABINET CUTOUT

A	24" (61.0 cm)*
B	Min. 34 1/2" (87.6 cm) Max. 35 1/8" (89.2 cm)
C	24" (61.0 cm)

*24" width for cabinet only. 24 1/4" (61.6 cm) need for cabinet and door width clearance if door is recessed between cabinets.



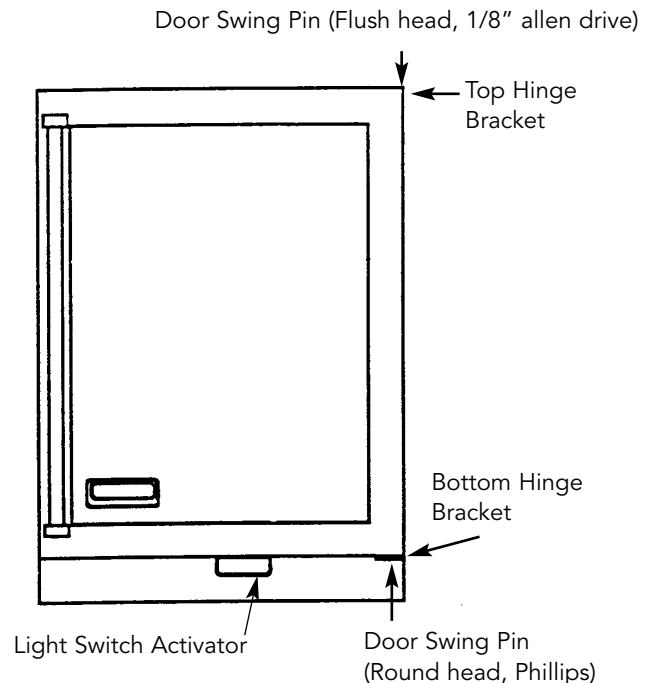
REVERSIBLE DOOR

Professional Series

(Glass Door Units Only)

You can change the door swing from right to left hinge very easily.

1. Simply unscrew the top hinge door swing pin with an 1/8" allen drive unit and lift door off of the bottom hinge bracket. Flip the door, remove the light switch activator and replace the light switch activator on the other end of the door.
2. Remove the door swing pin from bottom right hinge. Move the bottom, right hinge bracket to the upper, left side of the cabinet and fasten it in place with its original mounting screws.
3. Install the hinge door swing pin into the top right hinge bracket and move the bracket to the lower left side of the cabinet. Fasten it in place with its original screws.
4. Place the plastic washer over the bottom door swing pin on the top surface of the bottom, left hinge.
5. Position the door on the bottom, left hinge pin and push the door under the top, left hinge.
6. Line-up the top left hinge hole with the door bushing hole and insert swing pin. Screw down the door swing pin with the 1/8" allen drive unit until its head is flush with the top surface of the top, left hinge.
7. Reposition the logo. Your installation is now complete.



SPECIFICATIONS/DIMENSIONS

PROFESSIONAL SERIES

Basic Electric Data

- 115 VAC/60 Hz
- Maximum amps - 3.3
- Approximate Shipping Weight - 140 lbs. (63.2 kg)

