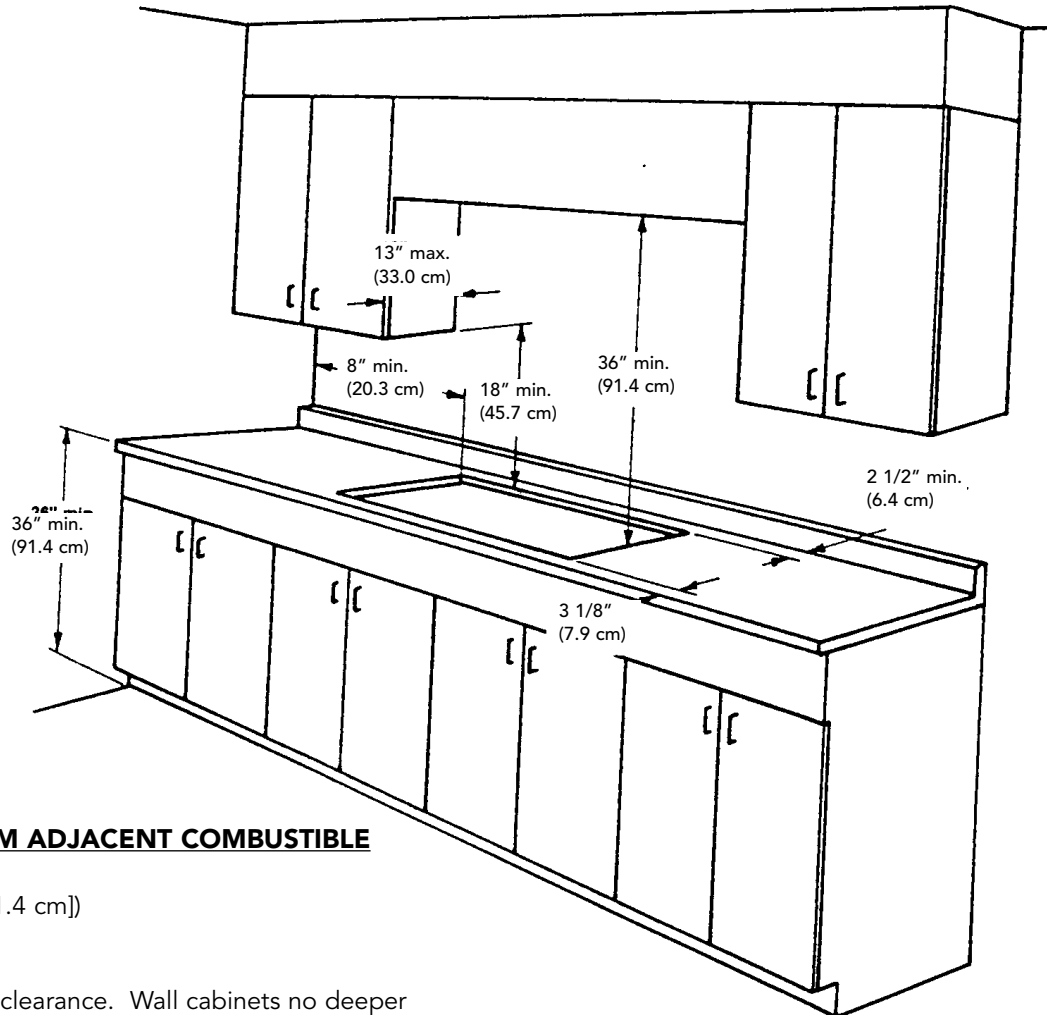


## PROXIMITY TO SIDE CABINETS

1. The cooktop may be installed directly to existing base cabinets.
2. The cooktop CANNOT be installed directly adjacent to sidewalls, tall cabinets, tall appliances, or other side vertical surfaces above 36" (91.4 cm) high. There must be a minimum of 8" (20.3 cm) side clearance from the cooktop to such combustible surfaces above the 36" (91.4 cm) counter height.
3. Within the 8" (20.3 cm) side clearance to combustible vertical surfaces above 36" (91.4 cm), the maximum wall cabinet depth must be 13" (33.0 cm) and wall cabinets within this 8" (20.3 cm) side clearance must be 18" (45.7 cm) above the 36" (91.4 cm) high countertop.
4. Wall cabinet above the cooktop must be a minimum of 36" (91.4 cm) above the countertop for a full width of the cooktop. This minimum requirement does not apply if a rangehood is installed over the cooking surfac.
5. A 120 volt wall receptacle should be located approximately 6" (15.2 cm) below the countertop cutout and 12" (30.5 cm) from the right side of the cutout.

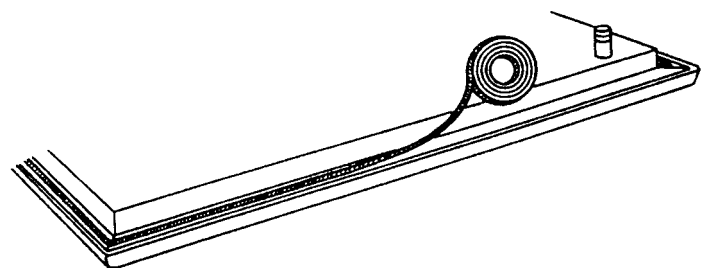


### MINIMUM CLEARANCES FROM ADJACENT COMBUSTIBLE CONSTRUCTION

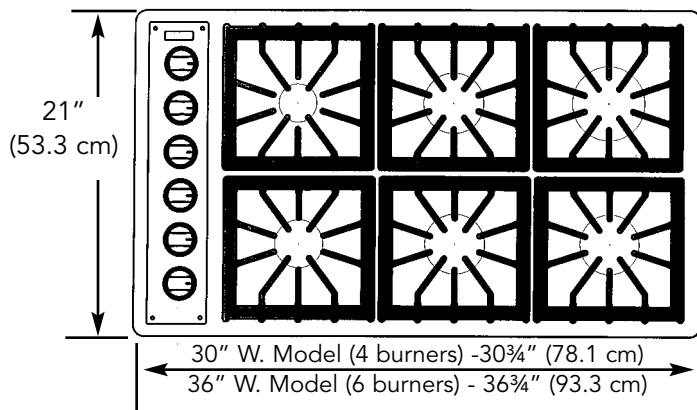
- Above countertop (above 36" [91.4 cm])
  - Sides 8" (20.3 cm)
  - Rear 2 1/2" (6.4 cm)
  - Within 8" (20.3 cm) side clearance. Wall cabinets no deeper than 13" (33.0 cm)
  - Must be minimum 18" (45.7 cm) above countertop
  - Wall cabinets directly above the product must be minimum 36" (91.4 cm) above the countertop.

### INSTALLATION OF COOKTOP

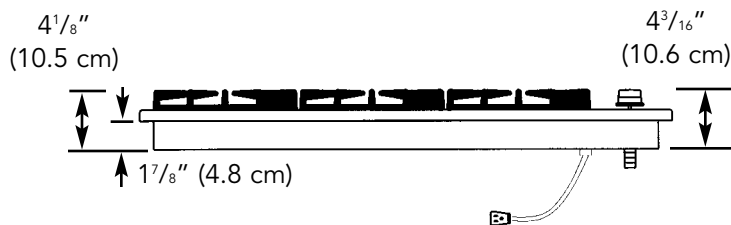
1. Remove the roll of gasket material from your packed-with items.
2. Turn your cooktop upside down on a flat surface. Make sure to place some protective material between the cooktop and the surface.
3. Peel the plastic covering from the gasket material.
4. With the adhesive side down, stick the gasket material all the way around the burner flange. **IMPORTANT:** Make sure the corners are covered completely, leaving **no air gaps**.
5. Turn the cooktop over and place into the countertop cutout.



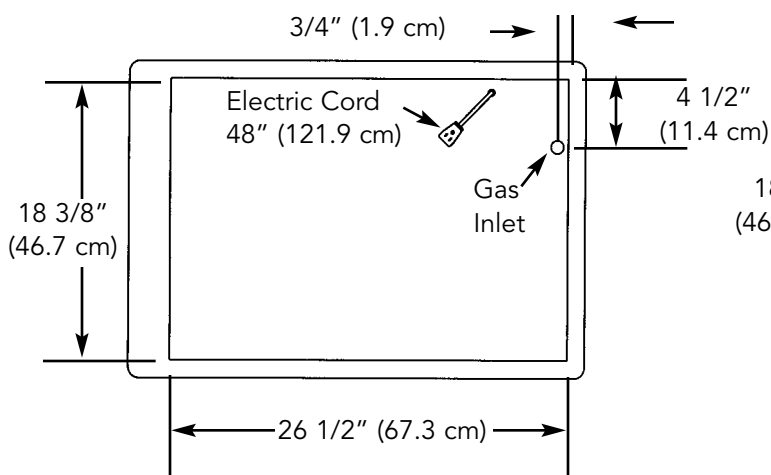
## TOP DIMENSIONS



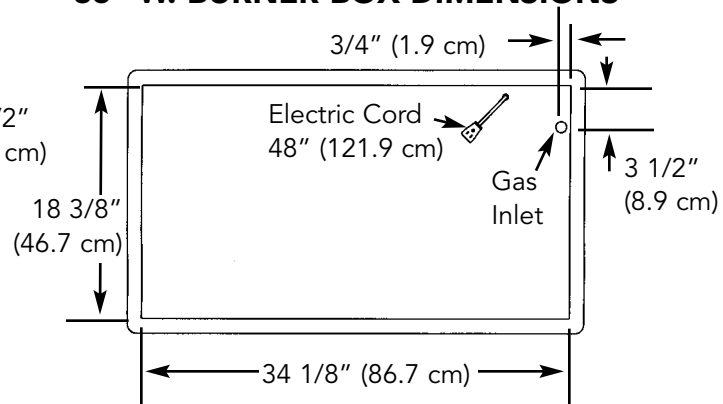
## HEIGHT DIMENSIONS



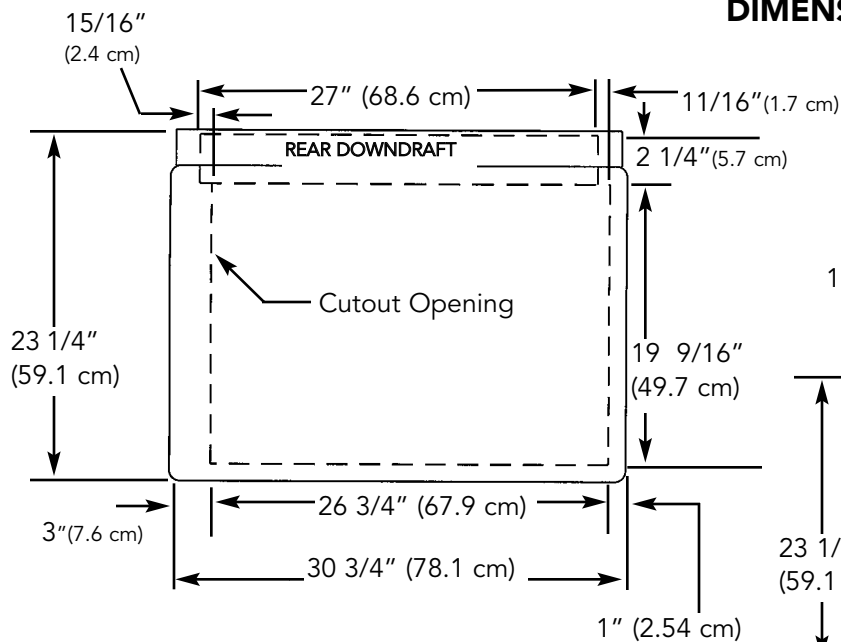
## 30" W. BURNER BOX DIMENSIONS



## 36" W. BURNER BOX DIMENSIONS

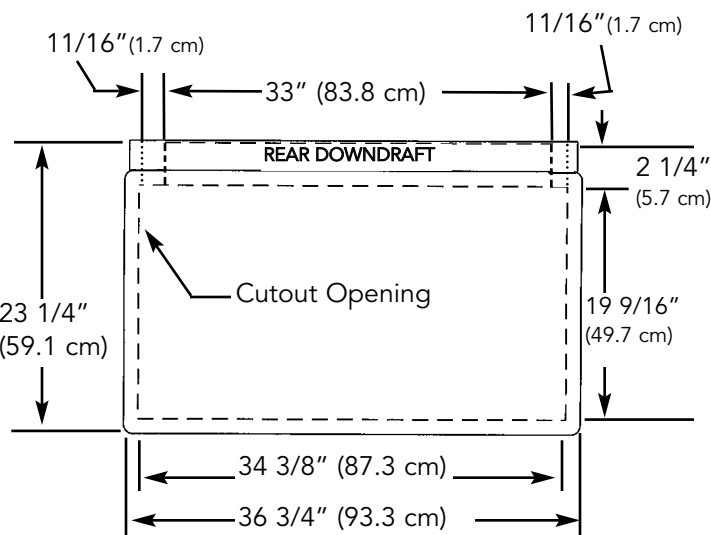


## COOKTOP AND COOKTOP/REAR DOWNDRAFT OVERALL AND MINIMUM CUTOUT DIMENSIONS



### 30" W. MODELS

Downdrafts: VIPR101/VIPR101R



### 36" W. MODELS

Downdrafts: VIPR161/VIPR161R

## BASIC SPECIFICATIONS

DESCRIPTION	30" W. MODEL	36" W. MODEL
Cutout Width - Minimum	26 3/4" (67.9 cm)	34 3/8" (87.3 cm)
Maximum	29 7/8" (75.9 cm)	35 7/8" (91.1 cm)
Cutout Height - Minimum	2 3/8" (6.0 cm)	
Cutout Depth - Minimum	18 5/8" (47.3 cm)	
Maximum	20 1/8" (51.1 cm)	
Overall Width	30 3/4" (78.1 cm)	36 3/4" (93.3 cm)
Overall Height from Bottom	4 3/16" (10.5 cm)	
Overall Depth from Rear	21" (53.3 cm)	
Gas Requirements	To field convert from natural to LP/Propane, the orifice spuds and regulator must be physically changed. Order accessory kit (LPK2-VGSU). Accepts standard residential 1/2" (1.3 cm) I.D. gas service line.	
Electrical Requirements	120 VAC/60 Hz; 4 ft. (121.9 cm), 3-wire cord with grounded 3-prong plug attached to product.	
Maximum Amp Usage	2.0 amps	
Surface Burner Rating	Left Front- 14,000 Nat./13,500 LP (BTU) (4.1 Nat./4.0 LP [kw]) Left Rear- 12,000 Nat./11,000 LP (BTU) (3.5 Nat./2.8 LP [kw]) Right Rear- 9,100 Nat./LP (BTU) (2.6 Nat./LP [kw]) Right Front- 6,000 Nat./LP (BTU) (1.8 Nat./LP [kw])	Left Front- 14,000 Nat./13,500 LP (BTU) (4.1 Nat./4.0 LP [kw]) Left Rear, Center Front, and Center Rear - 12,000 Nat./11,000 LP (BTU) (3.5 Nat./2.8 LP [kw]) Right Rear- 9,100 Nat./LP (BTU) (2.6 Nat./LP [kw]) Right Front- 6,000 Nat./LP (BTU) (1.8 Nat./LP [kw])
Approximate Shipping Weight	67 lb. (30.2 kg.)	80 lb. (36.0 kg)

## GENERAL INFORMATION

- WARNING:** The use of cabinets for storage above the appliance may result in a potential burn hazard. Combustible items may ignite, metallic items may become hot and cause burns. If a cabinet storage is to be provided the risk can be reduced by installing a rangehood that projects horizontally a minimum of 5" (12.7 cm) beyond the bottom of the cabinets.
- WARNING:** This appliance shall not be used for space heating. This information is based on safety considerations.
- All openings in the wall behind the appliance and in the floor under the appliance shall be sealed.
- Keep appliance area clear and free from combustible materials, gasoline, and other flammable vapors.
- Do not obstruct the flow of combustion and ventilation air.
- Disconnect the electrical supply to the appliance before servicing.
- When removing cooktop for cleaning and/or service;
  - Shut off gas at main supply
  - Disconnect AC power supply
  - Disconnect gas line to the inlet pipe.
  - Lift appliance out of cabinet cutout.
- Electrical Requirement**  
Normal grounded household current, 120 volts, 60 Hz, 15 amps, single phase. Electrical installation should comply with national and local codes.
- Air Supply and Ventilation**  
Means must be provided for any heavy-duty cooking appliance to exhaust combustion waste product to the outside of the building. It is recommended that the cooktop be set under a powered, vented exhaust hood. A non-vented recirculating hood is not recommended. Nothing should obstruct the flow of combustion and ventilation air.
- Gas Manifold Pressure**  
Natural gas - 5.0" W.C.P.  
LP/Propane - 10.0" W.C.P.
- Flexible Connections**  
If the unit is to be installed with flexible couplings and/or quick disconnect fittings, the installer must use a flexible connector of at least 1/2" I.D. (1.3 cm) NPT with suitable strain reliefs and comply with ANSI Z21.41 and Z21.69 standards.