



# TAMBURO

ZTA-E30S ZTA-E36S

At Zephyr ventilation we recognize the kitchen is the center of your home.

So for us, good design isn't an afterthought or a luxury, it's an invitation to be a little different. Quiet, efficient and modern, each of our high performance ventilation hoods is thoughtfully designed to bring a distinctive presence to any kitchen.

Because even though it's the center of everyday life, who says your kitchen has to feel so everyday?



**ZEPHYR**  
[www.zephyronline.com](http://www.zephyronline.com)

E U R O P A C O L L E C T I O N

**MODEL: ZTA-E30S ZTA-E36S**

size 30 inch, 36 inch  
 finish stainless

**PERFORMANCE**

cfm 400 cfm  
 sones (max) 5  
 ac input 120V - 60Hz  
 ac power 600W / 5.1 AMPS

**FEATURES**

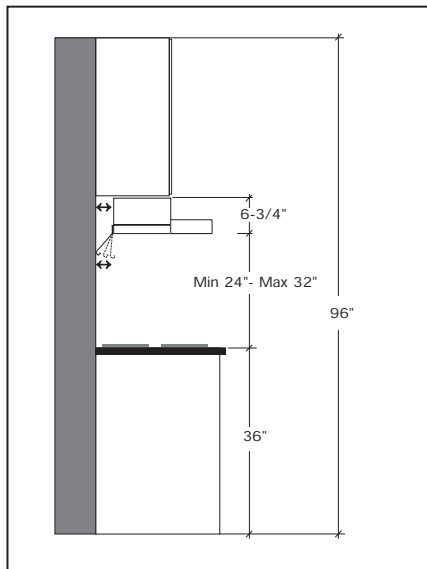
halogen lamps 2  
 dual level lighting n/a  
 slide controls no  
 3 speed levels •  
 aluminum filters •  
 adjustable depth \*

**DUCT OPTIONS**

vertical ducting 5 inch  
 rear ducting 3 1/4" x 10"  
 ductless option •

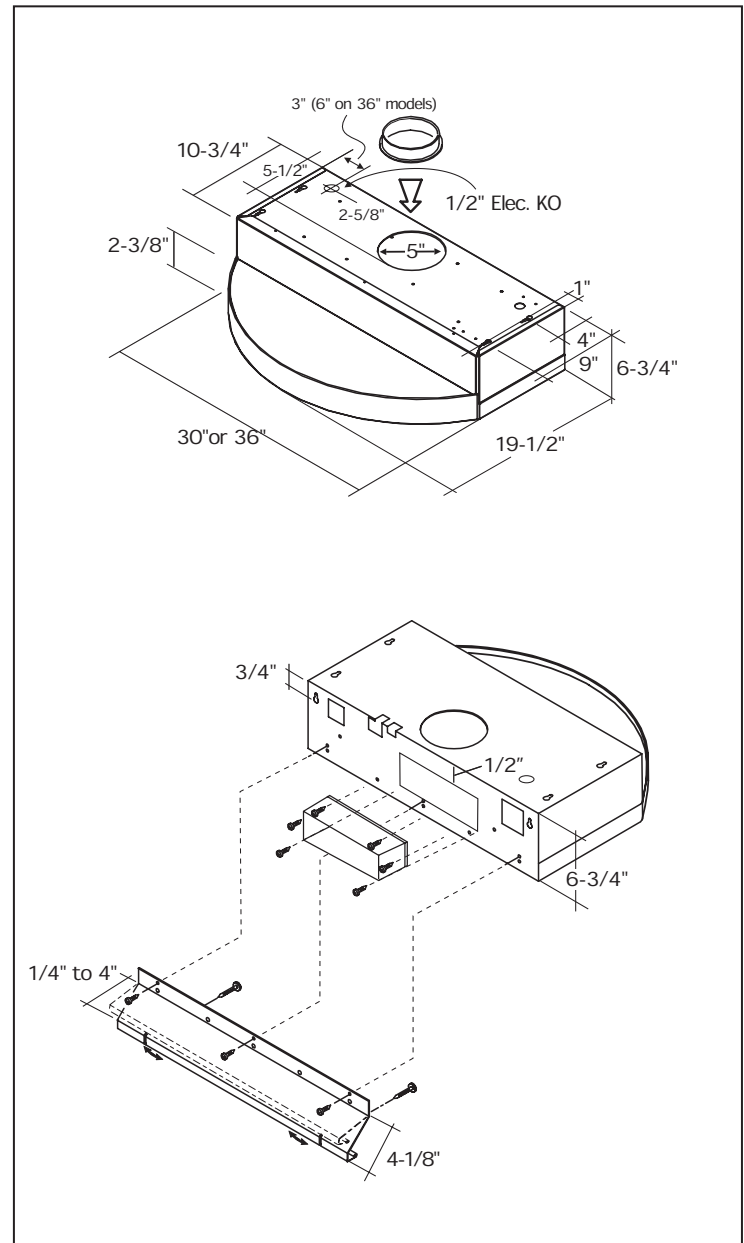
**ACCESSORIES**

carbon filters (2) - 30" Z0F-C042  
 carbon filters (3) - 36" Z0F-C043  
 replacement filters (2) - 30" Z0F-M052  
 replacement filters (3) - 36" Z0F-M053  
 replacement lights (2) Z0B-0011



# TAMBURO

ZTA-E30S ZTA-E36S



Please call 1.888.880.VENT or check our website at [www.zephyronline.com](http://www.zephyronline.com) for the potential specifications updates before making cut-outs or ordering custom work/modifications.

