



MILANO

ZML-M90S ZML-E42S

At Zephyr ventilation we recognize the kitchen is the center of your home.

So for us, good design isn't an afterthought or a luxury, it's an invitation to be a little different. Quiet, efficient and modern, each of our high performance ventilation hoods is thoughtfully designed to bring a distinctive presence to any kitchen.

Because even though it's the center of everyday life, who says your kitchen has to feel so everyday?



ZEPHYR
www.zephyronline.com

E U R O P A C O L L E C T I O N

MODEL: ZML-M90S ZML-E42S

size	90 cm, 42 inch
net width	35-3/8 inch, 41-5/8 inch
finish	stainless
canopy	stainless

PERFORMANCE

cfm	715 cfm
sones (max)	6
ac input	120V - 60Hz
ac power	450W / 4.0 AMPS

FEATURES

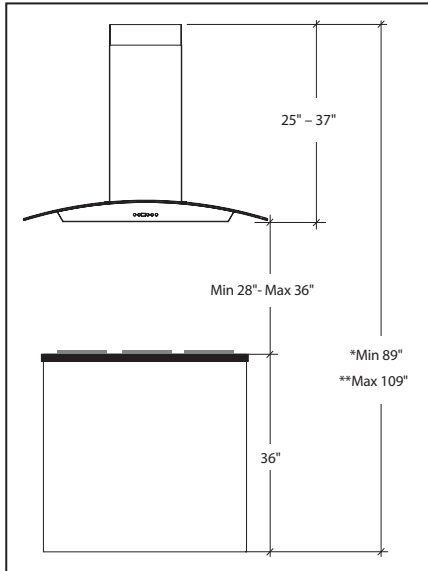
halogen lamps	2
dual level lighting	•
touch controls	•
6 speed levels	•
15 min. delay off	•
filter change indicator	•
filter clean indicator	•
metal casing blowers	•
aluminum filters	•

DUCT OPTIONS

vertical ducting	6 inch
rear ducting	no
telescopic option	•
ductless option	•

ACCESSORIES

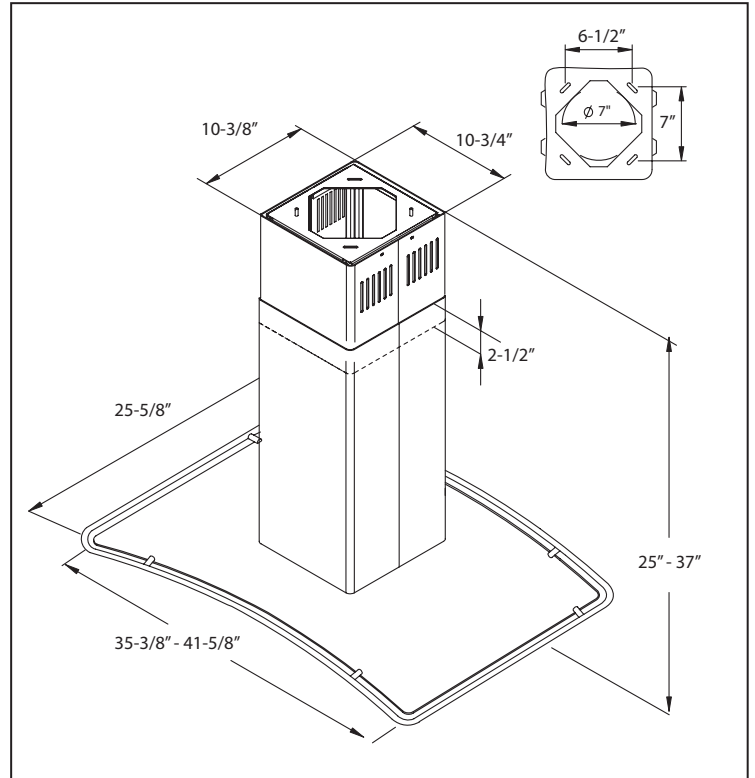
carbon filters (2)	Z0F-C022
replacement metal filters (2)	Z0F-M032
replacement lights (2)	Z0B-0011
	JDR-E27 50W
air diverter kit	Z0D-0090
duct cover extension	Z1C-00ML



*Minimum ceiling clearance 89" at 28" hood mounting height.
 **Maximum ceiling clearance 109" at 36" hood mounting height.

MILANO

ZML-M90S ZML-E42S



Please call 1.888.880.VENT or check our website at www.zephyronline.com for the potential specifications updates before making cut-outs or ordering custom work/modifications.



ZEPHYR

www.zephyronline.com