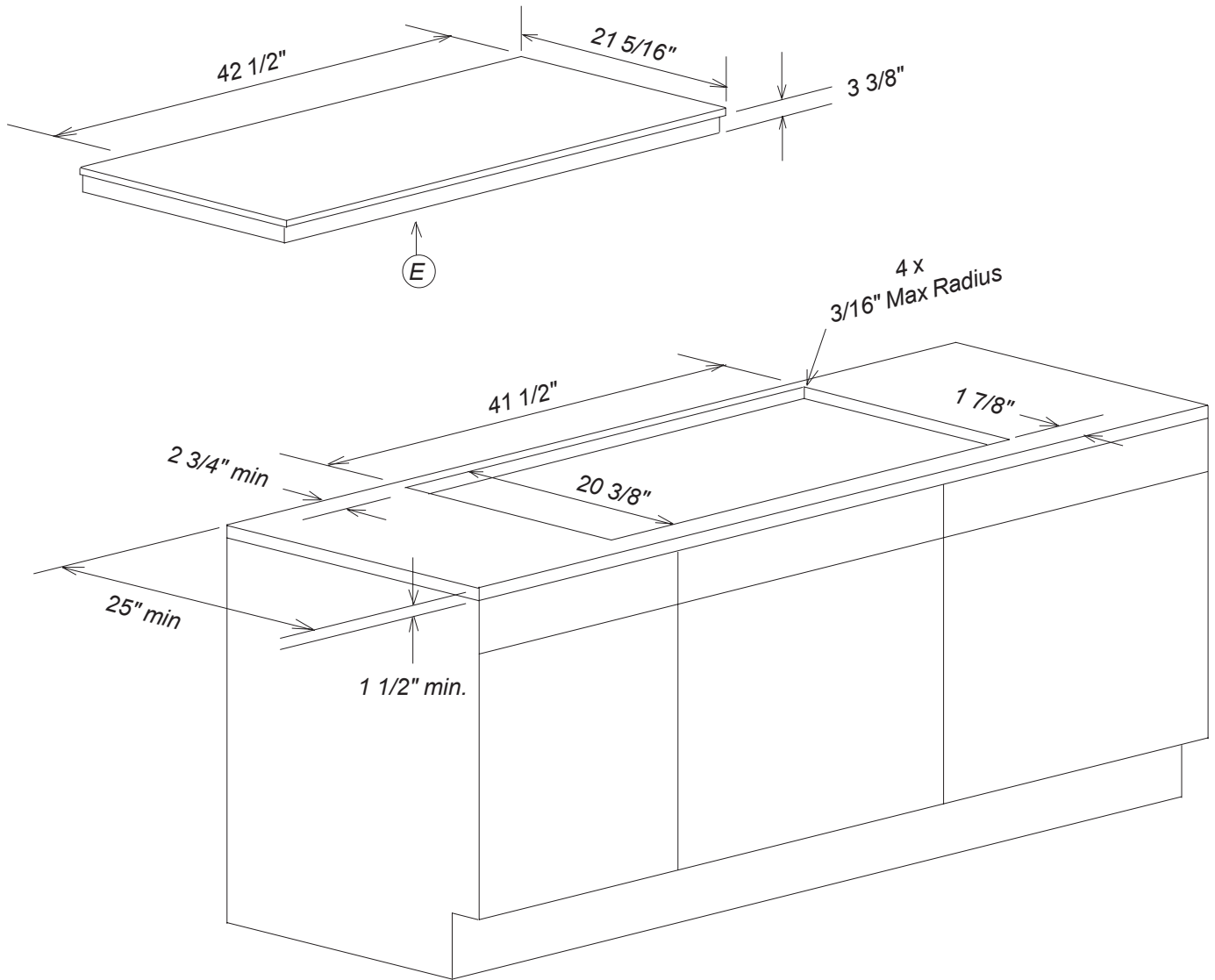


# Product and Cut-out Dimensions

## Touch Control Electric Cooktop

### KM452



#### Location Codes

*E* - 6 foot -208 Volt or 240 Volt - 50 Amp  
3-wire power supply connects rear  
center bottom.

#### Notes

- All installations must be done in accordance with local codes.

NOTE: Drawing is not to scale.  
SPECIFICATION SHEETS 010802