

This Data Sheet Includes Information On

KitchenAid

• **Product Model Number (s):**
 36" Slide-Out Vent Hood:
 KVVU265YBA
 Kit: 883140

• **Dimensions (Actual Size)**
 Overall width: 35 7/8"
 Recessed width: 32"
 Depth: 11"
 Recessed depth: 8"
 Vent extension when open (shaded area): 7"
 Height of exposed area: 1 13/32"
 Recessed height: 9 1/2"

- **Additional Information**
- Electrical requirements: Voltage 115, single phase, 60Hz. AC. Ampere 15. Grounded circuit required.
 - Installation location should be away from strong draft areas, such as windows doors and strong heating vents.
 - 24" minimum from vent hood to cooking surface or countertop.
 - 66" maximum from vent hood to floor.
 - 13" maximum cabinet depth.
 - Accepts custom panel (template is shipped with unit).

Venting Requirements:

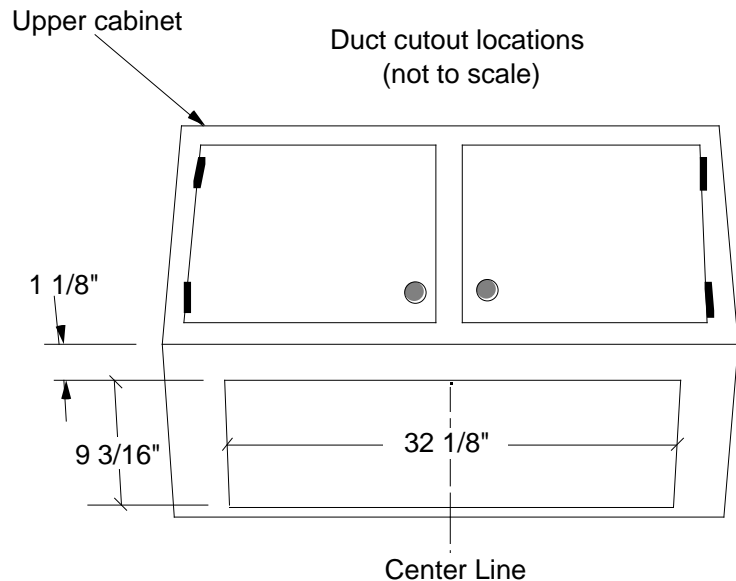
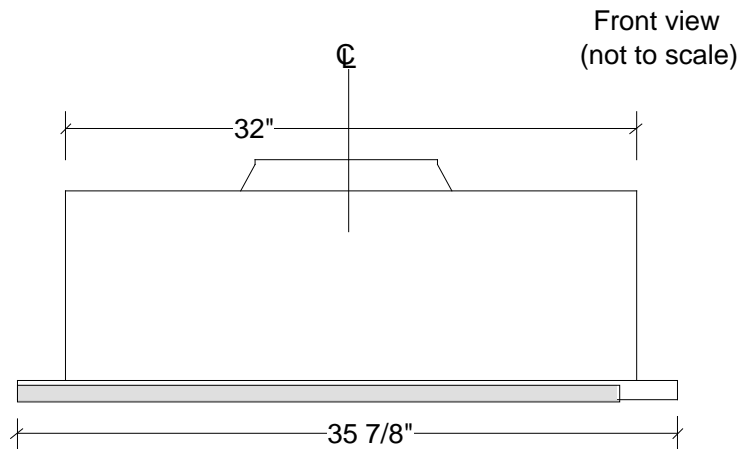
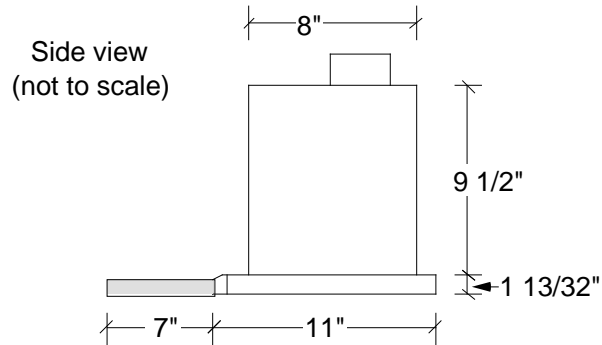
- Ductwork needed for installation is not supplied. Wall or roof caps for outside venting must have back-draft damper.
- Non-vent kit, Part No. 883140 is available from your KitchenAid dealer or authorized parts distributor. The non-vent kit includes a grille to terminate recirculating venting systems and charcoal filters.
- Determine which venting method you wish to use - outside venting or recirculating. Ductwork can terminate either through the roof or wall for outside venting. Ductwork for recirculating venting must terminate into the kitchen either through the cabinet or soffit.
- The length of the ductwork and number of elbows should be kept to a minimum to provide efficient performance. The size of the duct work should be uniform. Do NOT install two elbows together.

See page 2 for additional information

Subject to change without notice. This system is designed to be updated daily if necessary. Dimension Express is not responsible for use of superseded, voided, or outdated data sheets. Because of the difficulty or impracticability of determining actual damages, liability of Dimension Express shall not exceed \$50.00.

Copyright © Dimension Express, 2000.

234



• NEVER reuse Data Sheets. Data Sheets are subject to change without notice. Dimension Express is a FREE service bureau and is updated daily, it makes far more sense to spend the time necessary to request new Data Sheets for each project, as opposed to the problems, time, costs, and risks associated with reusing old Data Sheets.

- Call Dimension Express if you have any questions at (775) 833-3633 •
- Always refer to a current Code at a Glance or manufacturer directory •
- Data Sheet codes change on the first of odd numbered months at 12:01am •

BN59 • A234B149 • 11751 • 011502 • 115759 • 10396

36" Slide-Out Vent Hood:
KWVU265YBA
Kit: 883140

Additional Information:

•Use 3 1/4" x 10" duct with maximum length of 26 feet for duct systems. For best performance, use no more than three 90° elbows. To calculate the length of system you need, add the equivalent feet for each duct peice used in the system.

•Recommended standard fitting equivalents:

- 3 1/4" x 10" to 6" round = 4 1/2 feet straight.
- 6" to 3 1/4" x 10" 90°elbow = 6 feet straight.
- 6" round to 3 1/4" x 10" = 1 foot straight.
- 3 1/4" x 10" 90° elbow = 5 feet straight.
- 3 1/4" x 10" flat elbow = 12 feet straight.
- 3 1/4" x 10" wall cap = 0 feet straight.

Subject to change without notice. This system is designed to be updated daily if necessary. Dimension Express is not responsible for use of superseded, voided, or outdated data sheets. Because of the difficulty or impracticability of determining actual damages, liability of Dimension Express shall not exceed \$50.00. Copyright © Dimension Express, 2000.

• NEVER reuse Data Sheets. Data Sheets are subject to change without notice. Dimension Express is a FREE service bureau and is updated daily, it makes far more sense to spend the time necessary to request new Data Sheets for each project, as opposed to the problems, time, costs, and risks associated with reusing old Data Sheets.

- Call Dimension Express if you have any questions at (775) 833-3633 •
- Always refer to a current Code at a Glance or manufacturer directory •
- Data Sheet codes change on the first of odd numbered months at 12:01am •