

This Data Sheet Includes Information On

KitchenAid

- Product Model Number (s):
30" Canopy Range Hoods:
KWCU205HSS, KWCU205HAL and KWCU205HWH

Dimensions (Actual Size)

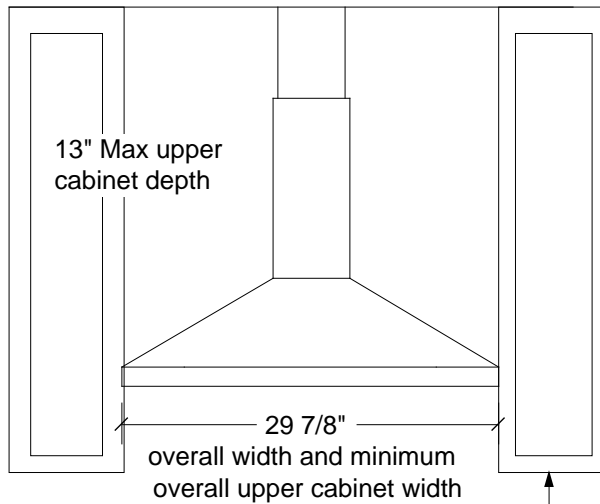
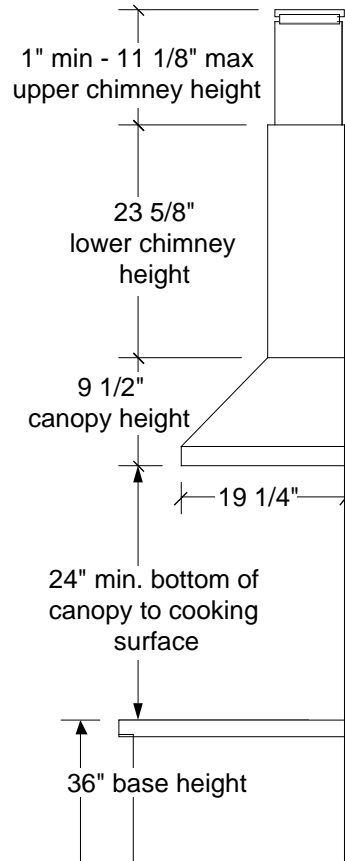
- Width: 29 7/8"
- Depth: 19 1/4"
- Maximum upper chimney height: 11 1/8"
- Minimum upper chimney height: 1"
- Lower chimney height: 23 5/8"
- Canopy height: 9 1/2"
- Min. distance from cooktop to hood: 24"

Additional Information

- Range hood location should be away from strong draft areas, such as windows, doors and strong heating vents.
- Ductwork MUST terminate outdoors.
- If canopy is mounted higher than 24" above cooking surface, upper chimney may need to be cut.
- Electrical requirements: 120 Volt, 60 Hz, AC-only, fused electrical supply is required on a separate 15 amp circuit, fused on both sides of the line. A time delay fuse or circuit breaker is recommended. Power supply line enters the unit at the duct opening.
- KWCU205HSS: Stainless Steel.
- KWCU205HBT : Biscuit.
- KWCU205HWH : White.

See page 2 for additional information

Side View (not to scale)



Front View (not to scale)

18" Min. clearance upper cabinet to countertop

Subject to change without notice. This system is designed to be updated daily if necessary. Dimension Express is not responsible for use of superseded, voided, or outdated data sheets. Because of the difficulty or impracticability of determining actual damages, liability of Dimension Express shall not exceed \$50.00.

Copyright © Dimension Express, 2000.

• NEVER reuse Data Sheets. Data Sheets are subject to change without notice. Dimension Express is a FREE service bureau and is updated daily, it makes far more sense to spend the time necessary to request new Data Sheets for each project, as opposed to the problems, time, costs, and risks associated with reusing old Data Sheets.

- Call Dimension Express if you have any questions at (775) 833-3633 •
- Always refer to a current Code at a Glance or manufacturer directory •
- Data Sheet codes change on the first of odd numbered months at 12:01am •

Additional Information:

Venting Requirements:

- Unit can be installed as either ducted or ductless (a kit is needed for ductless installation, contact your KitchenAid dealer. Biscuit-8171290, Stainless Steel-4378621, White-4378622, charcoal filters-4378623). Ductwork needed for installation is not supplied. 3 1/4" x 10" rectangular, 7" round, 8" round or 9" round ducting may be used. The size of the duct work should be uniform.
- Ductwork can terminate either through the roof or wall. To vent through the wall, a 90° elbow is needed.
- The length of the ductwork and number of elbows should be kept to a minimum to provide efficient performance.
- It is recommended that the range hood be vented vertically through the roof through 9" round ductwork.
- Ducting should transition to 9" round as soon as possible.
- Make sure there is a minimum of 24" of straight duct between the elbows if more than one elbow is used. Use no more than three 90° elbows. Do NOT install two elbows together.
- Flexible ductwork is NOT recommended. If it is used, calculate each foot of flexible ductwork as two feet of straight metal ductwork. Flexible elbows count twice as much as standard elbows. Use metal ductwork only. Make sure there is proper clearance within the wall of floor for exhaust duct before making cutouts.

Maximum duct lengths:

- 35 feet when using 3 1/4" x 10" rectangular.
- 40 feet when using 7" round.
- 50 feet when using 8" round.
- 60 feet when using 9" round.

To calculate the length of system you need, add the equivalent feet for each duct piece used in the system. Recommended standard fitting equivalents:

- 3 1/4" x 10" 45° elbow = 7 feet straight.
- 3 1/4" x 10" 90° elbow = 5 feet straight.
- 3 1/4" x 10" 90° flat elbow = 12 feet straight.
- Transition to round = 5 feet straight.
- Wall cap = 0 feet straight.
- 7" round 45° elbow = 2 1/2 feet straight.
- 8" round 45° elbow = 2 1/2 feet straight.
- 9" round 45° elbow = 2 1/2 feet straight.
- 7" round 90° elbow = 5 feet straight.
- 8" round 90° elbow = 5 feet straight.
- 9" round 90° elbow = 5 feet straight.

Subject to change without notice. This system is designed to be updated daily if necessary. Dimension Express is not responsible for use of superseded, voided, or outdated data sheets. Because of the difficulty or impracticability of determining actual damages, liability of Dimension Express shall not exceed \$50.00. Copyright © Dimension Express, 2000.

• NEVER reuse Data Sheets. Data Sheets are subject to change without notice. Dimension Express is a FREE service bureau and is updated daily, it makes far more sense to spend the time necessary to request new Data Sheets for each project, as opposed to the problems, time, costs, and risks associated with reusing old Data Sheets.

- Call Dimension Express if you have any questions at (775) 833-3633 •
- Always refer to a current Code at a Glance or manufacturer directory •
- Data Sheet codes change on the first of odd numbered months at 12:01am •