

Installation Instructions

for LP Gas Unit

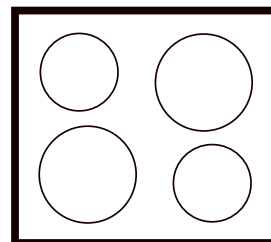
Dear Consumer!

Please keep this manual in a safe place and pass it on to future reference.

Dear Installer!

Please leave this instruction with the appliance for the owner.

GKS 644.0 / GKS 324.0




For your information...

Be sure to read the information in this manual carefully before you install the cook top.

Please keep this manual in a safe place and pass it on to future owners for their information and safety.

The following symbols are used in this operating manual:

 The warning triangle will alert you about possible health risks or things that can cause potential damage to your appliance.

 You'll find useful hints and information when you see this symbol.

Warranty

This warranty is extended to the original purchaser and succeeding owners for products purchased for ordinary home use. It does not cover its use in commercial situation. Should the appliance be sold by the original purchaser during the warranty period, the new owner continued to be protected until the expiration date of the original purchaser's warranty period. Save your dated receipt or other evidence of the installation/occupancy date. Proof of original purchase date is needed to obtain service under warranty. The warranty applies even if the owner should move during the warranty period.

Küppersbusch does not assume any responsibility for consequential or incidental damages. This warranty provides you with certain legal rights. You may also have other rights which may vary from state to state.

What Is Covered

For one full year from the date of the original purchase, we will provide parts, service and labor in your home to repair or replace any part of the cook top that fails because of a defect in materials or workmanship. This service is provided free of charge. All warranty service will be provided by an authorized technician during normal business hours.

What Isn't Covered

- Service by an unauthorized agency will not be reimbursed. Likewise, the warranty doesn't cover any damage or repairs due to service performed by an unauthorized agency, or by the use of unauthorized parts.
- Service visits to teach you how to use the appliance.
- Service visits to correct the installation. You are responsible for providing electrical wiring and other connecting facilities.
- Reset circuit breakers or replace home fuses.
- Damage resulting from accident, alteration, misuse, improper installation, abuse or installation not in accordance with local electrical codes, or improper storage of the appliance.
- Repairs due to other than normal household use.

Disposing of the packaging and the old appliance

Be sure to dispose of the transport packaging properly. Disposal should not have a negative impact on the environment. Recycling the packaging saves raw materials and reduces the amount of waste.

Be sure to dispose of your old appliance properly, as well. Even if it can no longer be used, it still contains useful materials. Before discarding an old appliance, disconnect the power cord and remove the door to prevent it from becoming a hazard.

Contents

Disposing of the packaging and the old appliance. 2

Safety instructions 3

Installation 3

Requirements for installation

Gasket

Installation dimensions

Connecting the appliance to the gas supply

Leak testing

Connecting the appliance to the electricity supply

Installation

Initial start-up

Testing the appliance's functions

Technical data 7

Table of heat input

Cross calorific value and pressure

For Service: removal and replacement

For technical information and/or replacement parts, please contact the **Küppersbusch Customer Care line** at **1 - 800 - 459 - 0844**

For the most efficient assistance, please have the Model and Serial numbers for the appliance available.

Safety instructions



- The instructions must be reviewed with the customer before installation is complete.
- The appliance may only be operated with LP gas (Liquid Propane).
- The appliance can be converted to run on Natural gas. The conversion can only be carried out by the Küppersbusch Service staff. Please ask them for help.
- Your appliance should only be installed and grounded by a qualified technician. Likewise, a qualified gas range or service technician should perform any adjustment and service.
- The installation must conform with local codes or, in the absence of local codes, with the National Fuel Gas Code, ANSI Z223.1.
- Information regarding settings for the appliance are listed in these operating instructions. You may also find them on an information or identification plate on the appliance itself.
- Only use the pressure regulator which is supplied with this appliance.
- Don't install or use this appliance in a mobile home.
- **Caution!** Check whether the details on the identification plate match with the local connection conditions (type of gas and gas pressure) and with the settings of the appliance. If you notice any discrepancies, the appliance must be converted accordingly by Küppersbusch Service!
- The use of a gas cooker causes heat and humidity to build up in the room where the appliance is installed. As a result, the appliance should be installed in a well ventilated room.
- If the connection plug isn't accessible, safety measures should be used with line-protecting cutouts, fuses or contactors with contact opening at least 3 mm (1/8 inches) wide.
- Maintenance and repair work on the appliance must be performed by a trained technician. The power supply and the gas supply should always be turned off during repairs or connection. To avoid potential safety hazards, make sure all installation, service and maintenance has been performed according to guidelines.
- Make sure all connections between the appliance and the cylinder are tight and leak-proof.
- Make sure the freely laid supply hoses aren't placed on the cook top and can't be jammed or wedged.
- This appliance must be earthed.
- Don't lift the cook top out of the recess with a screwdriver or you could damage the frame of the cook top. Press the cook top out of the recess from underneath to remove it.
- This appliance must be grounded into a 120-volt grounded outlet. Do not remove the round grounding plug from the plug. It is your personal responsibility to make sure you have a properly grounded three-prong outlet in accordance with the National Electrical Code. Do not use an extension cord with this appliance.
- This appliance is not connected to a pipe for extracting combustion products. It must be installed and connected according to the applicable installation conditions. It's very important to provide appropriate ventilation.
- No modifications should be made to the appliance without the explicit consent of the manufacturer.
- A shut-off valve must be installed within less than 3' of appliance. A maximum of 3' flex connection is allowed between the valve and the appliance.
The shut-off valve must be installed in an accessible location in the gas line external to the appliance for the purpose of turning on or shutting off gas to the appliance.

- Do not cover the vents where fumes can escape.
- The maximum gas supply pressure in accordance with the inlet pressure rating of the gas appliance pressure regulator supplied (10 inch water column) is 13 inch water column.

Installation

Requirements for installation

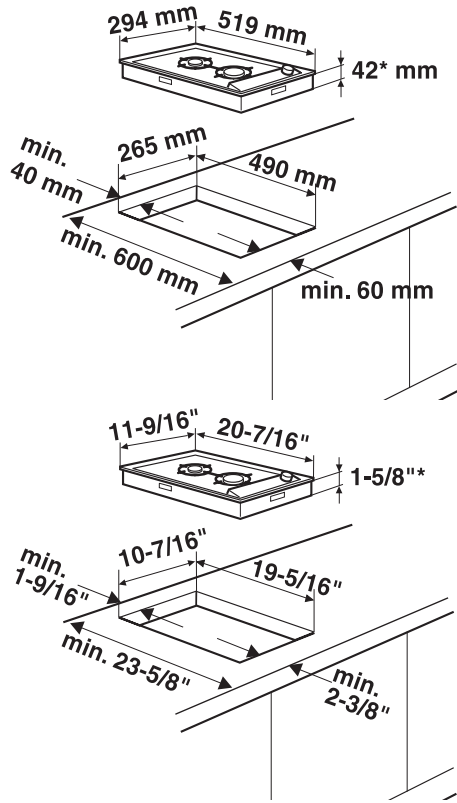
- Your appliance should be installed in a room large enough that fresh air ventilation can be provided by either a window or a door.
- All setting data for the appliance is listed in these operating instructions. You can also find them on an information plate or identification plate on the appliance.
- The cook top must be built into an opening in the counter top. This opening must be prepared according to the installation dimensions specified below.
- The counter top must be aligned horizontally. Make a clean cut into it for the opening.
- There must be no cross bars beneath the opening. They should be cut back to at least the size of the opening in the worktop.
- Protect all cut surfaces of the counter top with a coat of waterproof paint.
- Additional space for the gas connection is required below the cook top.
- The wall connection strip must be made of heat-resistant material and must have no sockets in the area around the cook top. Use a support strip made of plastic with a covering strip made of aluminum. The lateral part on the counter top must not be longer than one inch.
- The wall above the wall connection strip in the area around the appliance must be made of non-flammable material. Do not use wood, plastic, PVC, foil etc.
- During normal use, very high temperatures may affect the surrounding items of furniture. Protect all plastic finish or veneer of built-in kitchen furnishings with a heat-resistant adhesive (100°C/225°F).

Gasket

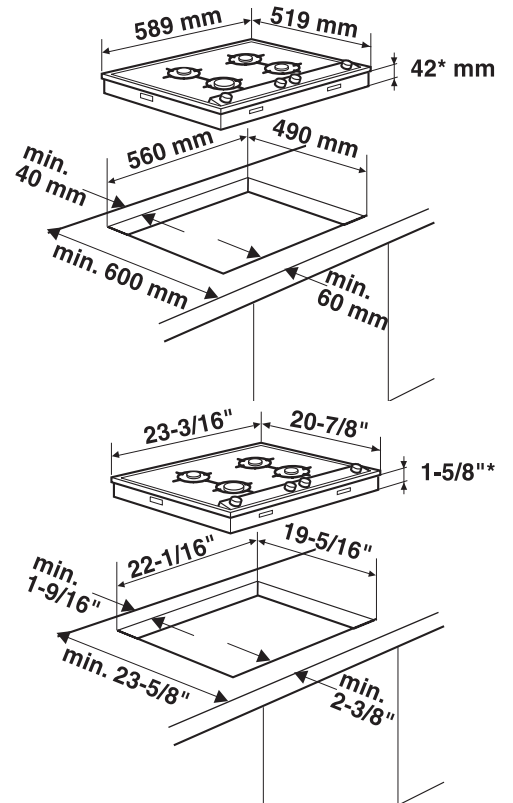
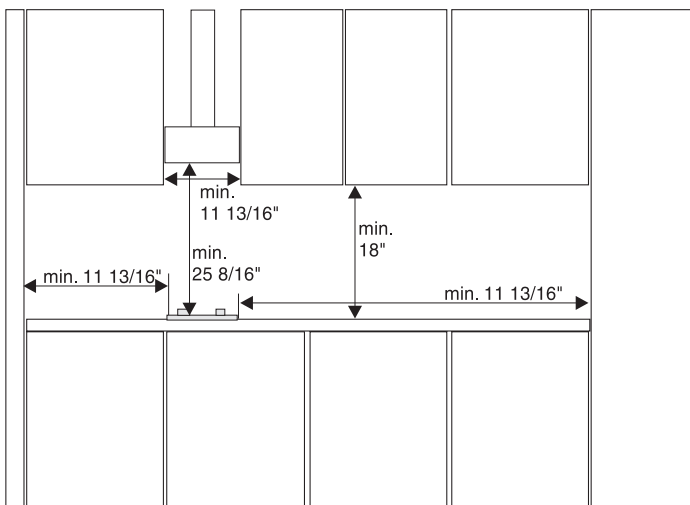
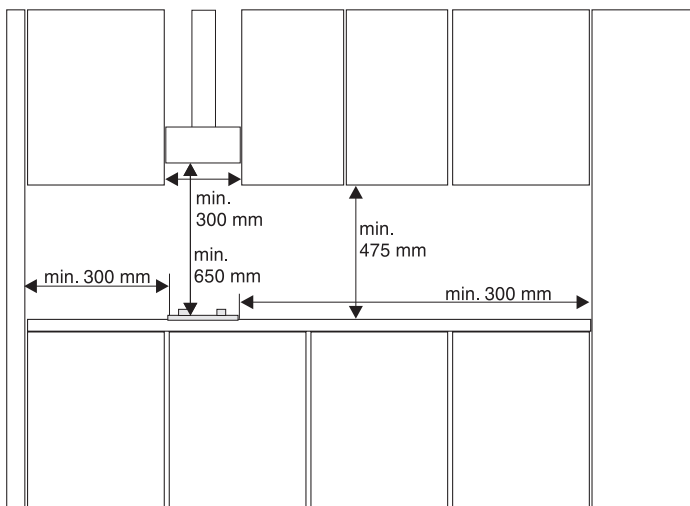
- Before installing the cook top and any time that it's removed, the gasket should be checked for signs of damage and to make sure it fits perfectly. If necessary, put in a new gasket. Don't use any additional adhesives like silicone, because plastic-coated counter tops can be damaged when the cook top is removed.
Exception: Uneven counter tops (i.e. ceramic tiles) require a gasket made of a heat-resistant, permanently elastic sealing material (i.e. with silicone, suitable for ceramic surfaces). Only apply this sealing material around the edge of the cook top. Don't apply the sealing mass underneath the cook top onto the counter top or the work surface will be damaged when the cook top is removed.

Installation dimensions

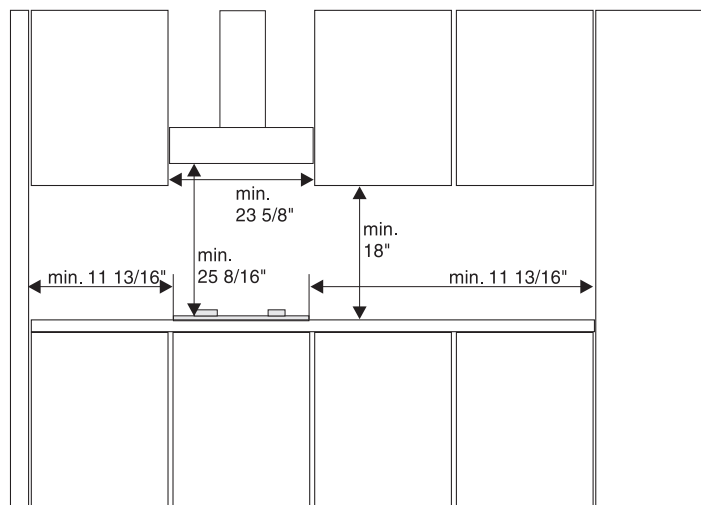
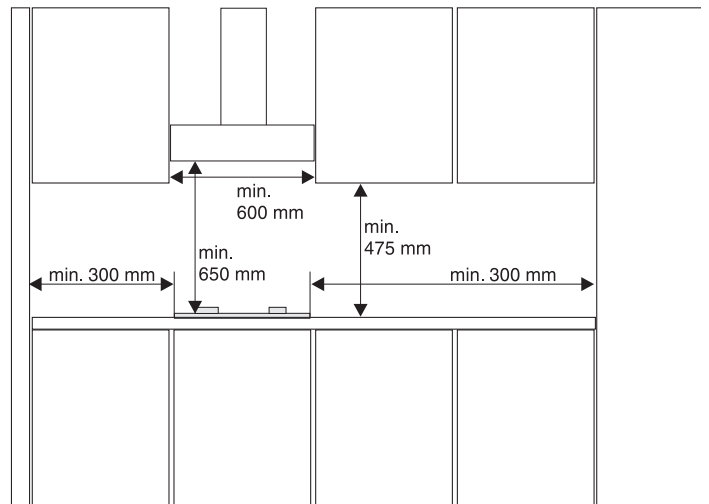
- The distances at the front, rear and sides of the cook top opening must conform to the measurements shown in the drawing. The edges at the front and the rear are based on a counter top depth of 600 mm (23-5/8"). The rear edge will be wider for counter tops of greater depth.
- High cupboards located at the side of the cook top should be located at least 300 mm (12") away.
- Hoods and cabinets above the cook top should be at least 650 mm (26") away from the cook top. The maximum depth of cabinets installed above the cooking top is 330 mm (13 inches).



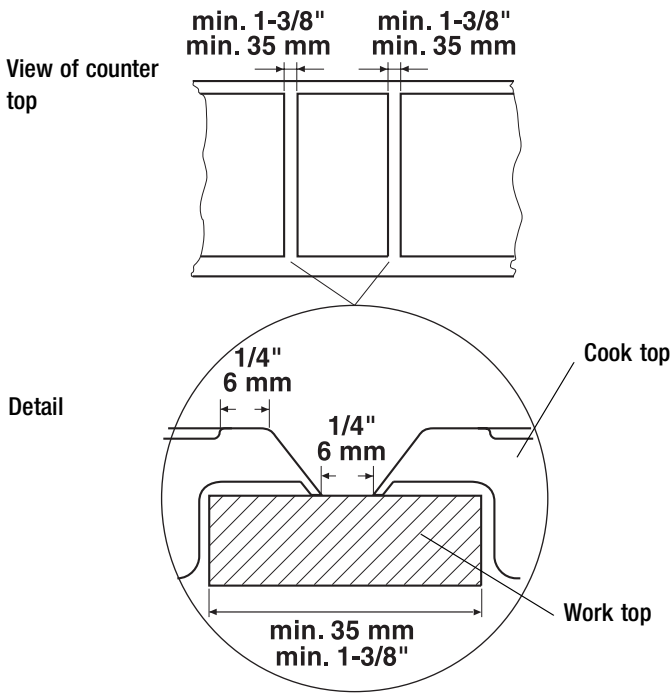
* Appliance height



* Appliance height



If several cook tops are installed next to each other, please observe the minimum distances between the cuts into the counter top as indicated in the drawing.



Connecting the appliance to the gas supply

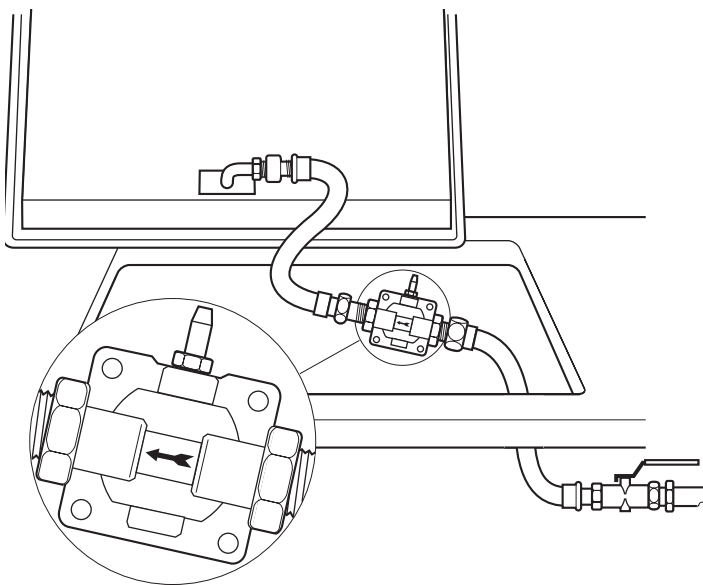
⚠ The gas cook top may only be operated if the supplied gas pressure regulator and a shut-off valve (not supplied) are connected correctly.

👉 The gas supply pressure stated shall be at least an 11 inch water column for checking the regulator setting!

Make sure the gas and the gas supply pressure are correct. The correct gas supply pressure is 10 inch water column.

The pipe for the gas connection is located at the center of the underside of the appliance.

The connection parts must be positioned so they can't heat up or become damaged while the appliance is in operation. They also can't come into contact with the movable parts of the kitchen elements.



- Look at the adhesive label located on the underside of the appliance to see which type of gas the built-in cook top is set for.
- Connect the pipe for the gas connection with the enclosed adapter.
- Connect the gas pressure regulator via a rigid or a flexible conductor with the adapter.

Make sure the regulator is installed in the right direction.

- Check the gas pressure regulator for its setting and make sure the appliance isn't leaking.
- Connect the gas pressure regulator with the shut-off valve and connect this with the gas supply.

Leak testing

⚠ Before the appliance is put into operation, it must be checked by a gas technician to make sure it's functioning properly and there is no gas leakage. Leak testing of the appliance shall be conducted according to this installation instruction!

⚠ **Absolutely no leakage should occur, otherwise there is a danger of fire or explosion depending upon conditions. Never use the appliance if leakage is detected.**

⚠ Do not use a flame to check for leakage!

⚠ The appliance and its individual shut-off valve must be disconnected from the gas supply piping system during any pressure testing of that system at test pressures in excess of 1/2 psi (3.5kPa).

For pressure testing of that system at test pressures equal to or less than 1/2 psi (3.5 kPa), the appliance must be isolated from the gas supply piping system by closing its individual manual shut-off valve.

⚠ The maximum gas supply pressure in accordance with the inlet pressure rating of the gas appliance pressure regulator supplied (10 inch water column) is 13 inch water column.

- Check carefully for gas leaks immediately after the regulator has been installed and the gas turned on. Do this before attempting to operate the appliance or any other gas-burning device. Use a rich soap solution (or other accepted leak tester) around the diaphragm flanges, bottom plate, vent opening, seal cap pipe connections, and all other joints. Wipe clean with a damp rag.

Connecting the appliance to the electrical supply

The appliance must be electrically grounded in accordance with local codes or, in the absence of local codes, with the National Electrical Code, ANSI/NFPA 70.

A grounded, shockproof socket is required for electrical connection. Electrical connection must be carried out in conformity with all local and national codes.

The plug for the appliance is rated for 120 V / 60 Hz. The power consumption is 0.7 VA.

The connection parts must be positioned so they can't heat up or become damaged while the appliance is in operation.

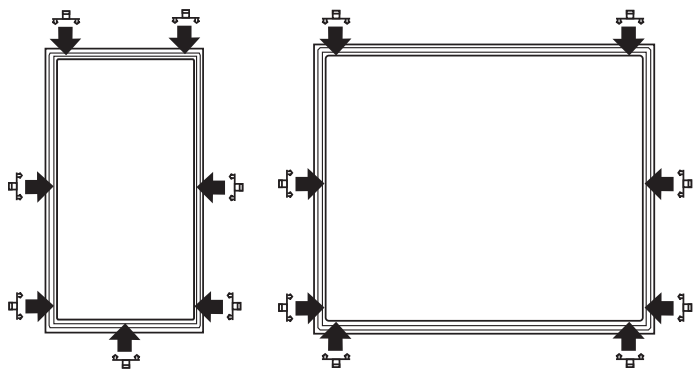
Installation

It's quicker and easier to install these units by using clips. You can perform all installation work from above.

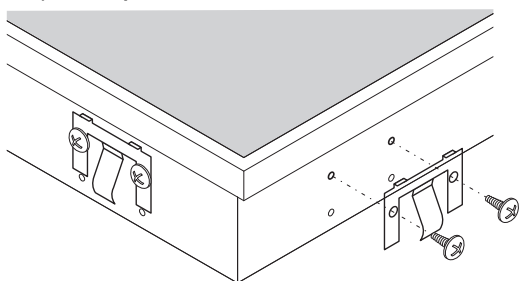
- Make a clean cut into the counter top. (see "Installation dimensions").
- Make sure that the gasket is properly seated. "See Gasket" on page 3.
- Insert the clips on the cooking area counter top cut-out as shown in the diagram on the previous page. Use the exact measurements as indicated.

GKS 324.0

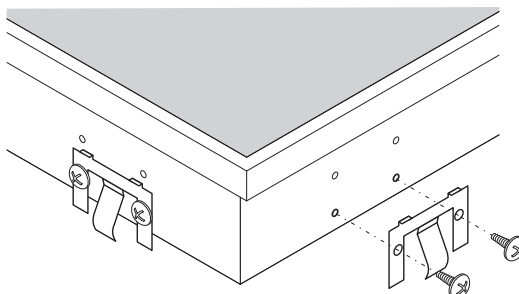
GKS 644.0



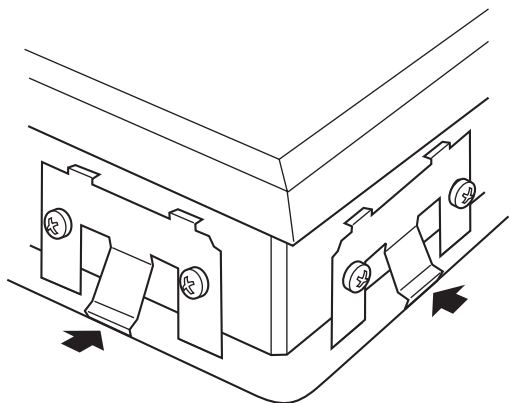
Up to 37 mm (1-3/8") worktop:



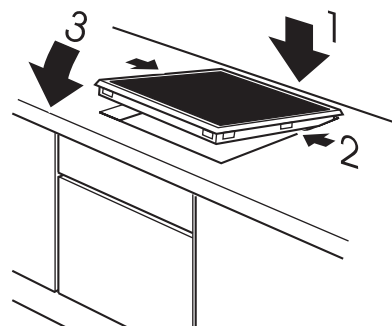
38 mm (1-1/2") or more worktop:



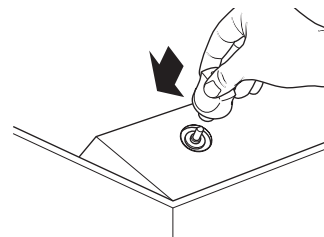
Detail of the cooktop with clips screwed on:



- Insert the rear edge of the cooktop and lower it carefully. At the same time press in the clip with both hands.
- Press the cooktop downwards until it rests completely on the worktop.



- If the worktop cut-out is a little too large, it's possible to increase the preliminary spring tension of the clips by screwing them down.
- Place the burner cover, the saucepan support(s) and attachment carefully in the correct position.
- Pin up the control knobs.



- Insert plug into the socket.

Initial start-up

- Turn on the gas connection tap, and insert the plug into the shockproof socket.

⚠ Follow these installation instructions in order to test the appliance for leaking.

Before the appliance is put into operation, it must be checked by a gas technician to make sure it's functioning properly and there is no gas leakage. Then the appliance is ready to be put into operation.

Using the operating instructions, the technician should demonstrate operating functions to the user. The operating instructions should then be given to the operator.

Testing the appliance's functions

⚠ After you've completely reassembled the appliance, be sure to test all of its functions!

- Put the appliance into operation as described in these operating instructions.
- Check the appliance and the installation for any gas leaks.
- Check the burners for signs of over-ignition and a steady flame (do not forget to check them on low flame, as well).

Technical data

Table of heat input

Burner		Propane	
		Input Btu/h	Gas rate g/h
Simmering burner	large	3753	79
	small	1024	22
Normal burner	large	6483	137
	small	1297	27
High-speed burner	large	8189	173
	small	1911	40

GKS 324.0

Total nominal heat input = 11942 Btu/h

Connected load of the appliance = 252 g/h

GKS 644.0

Total nominal heat input = 24908 Btu/h

Connected load of the appliance = 526 g/h

Cross calorific value and pressure

Type of gas	Caloric value H _g 15 °C		pressure
	MJ/m ³	Btu/foot ³	inch water column
Propane	93,1	2500	10

For Service: removal and replacement

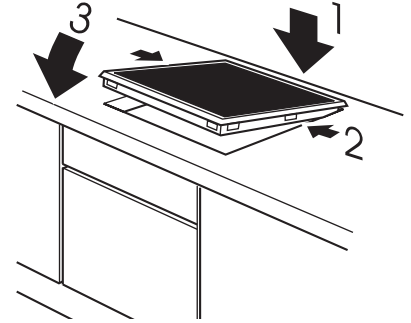
⚠ The power supply and the gas supply should always be turned off during repairs or connection. To avoid potential safety hazards, make sure all installation, service and maintenance has been performed according to guidelines.

Removal:

- Press the cooktop out of the worktop from below and remove.
Do not lift the cooktop out of the recess with a screwdriver - You could damage the frame of the cooktop. Press the cooktop out of the recess from underneath in order to dismantle.

Replacement:

- Insert the rear edge of the cooktop and carefully lower. At the same time press in the clip with both hands.
- Press the cooktop downwards until it rests completely on the worktop.



- Place the burner cover, the saucepan support(s) and attachment carefully in the correct position.
- Insert plug into the socket.

For technical information and/or replacement parts, please contact the **Küppersbusch Customer Care line** at **1-800-459-0844**

For the most efficient assistance, please have the Model and Serial numbers for the appliance available.

KÜPPERSBUSCH

112 N. East Street, Suite C

Tampa, Florida 33602

Telephone: 813-229-7096 Fax: 813-229-0982

Customer Care line: 1 - 800 - 459 - 0844

www.kuppersbuschusa.com

KÜPPERSBUSCH is a brand of Teka USA, Inc.

Küppersbusch

THE HEART OF A GOOD KITCHEN