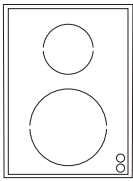


Series 400 Vario  
**Induction cooktop**  
 Width 15" (38 cm)



VI 421-610

Operates with magnetic (induction) iron pots and pans only. For optional heat distribution, the use of sandwich bottom cookware is recommended.

VI 421-610

- **Special appliance for the professional kitchen.** Individually combined for a consistent stainless steel design.
- **Concentrated performance within compact dimension.** A cooktop that matches pots and pans, and leaves room for more
- **Low heat in the cooking zone.** It prevents spills from burning on the surface, and makes cleaning easier compare to gas or glass ceramic.

2 cooking zones:  
 One ø 5 7/8" induction cooking zone (1400 W, 1800 W with booster).  
 One ø 8 1/4" induction cooking zone (2200 W, 3300 W with booster).

Electronic control in 12 output levels.  
 Booster function for every cooking zone (the booster function can only be used for one cooking zone at a time).  
 Pan detection.  
 Individual residual heat indication.  
 Cooking zone marking.  
 Two control knobs with illuminated ring.  
 Safety lock.

<b>Optional accessories:</b>	<b>VD 400-000</b> Stainless steel cover.
	<b>SH 400-000</b> Hinge holder necessary for mounting the appliance cover.
	<b>VV 400-000</b> Connecting strip for combination with other Vario appliances (not when using downdraft ventilation).
	<b>VZ 400-700</b> Connecting strip with timer – offers automatic cooking timer function for two appliances. Can also be used as an independent timer.

**Planning notes:**

Please read the installation details regarding air ducting on p.95.

Installation of cooktops from above. The minimum distance from the appliance edge to the wall or furnishing components must be at least 3/16".

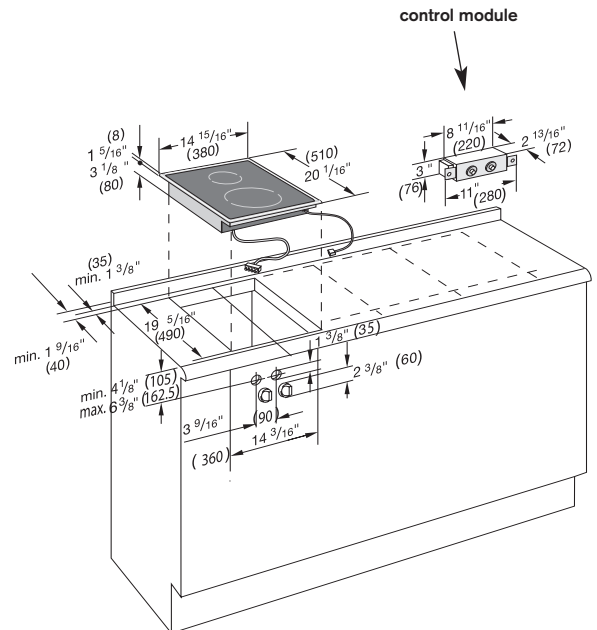
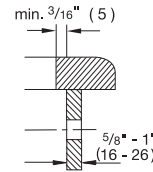
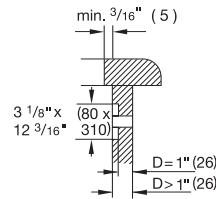
Clamping range:  
 1 3/16" - 2".

The output level is 'audible' depending on the pot material and quantity cooked.

**Rating:**

**Total rating: 3.6 kW**  
**Total Amps: 16**  
**220-240V / 60Hz**

Front panel thickness 5/8" - 1".  
 The sketch below must be observed if the panel is more than 1" thick (there must be a recess at the rear for proper control module installation).



Numbers indicated inside parenthesis ( ) = mm