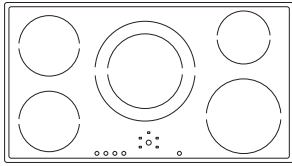


Induction Cooktop
with Twist-Pad control
Width 36" (90 cm)



CI 491-610

CI 491-610

- **Extra-wide cooktop**, for really large cookware.
- **Five flexible cooking areas.**
- **Twist-Pad control** – the manoeuvrable magnetic knob sets cooking zone and temperature. Removable for cooktop cleaning.

Five cooking zones:

One induction cooking zone ø 5 7/8" (1400 W, with booster 1800 W).

Two induction cooking zones ø 7 1/16"(1800 W, with booster 2500 W).

One induction cooking zone ø 8 1/4"(2200 W, with booster 3300 W).

One induction cooking zone ø 7 1/16"(1800 W, with booster 2500 W).

Automatically switch to ø 11" (3600 W, with super booster 4400 W).

Main switch.

Twist-Pad control with removable magnetic knob.

Memory cooking

Automatic quick boil for all cooking zones.

Electronic power control in 17 output levels.

Booster function for all cooking zones (three cooking zones can be operated simultaneously with booster function: one left, one right, and the one in the middle. When using the super booster, the two zones on the right cannot be used).

Automatic cooking time up to 99 minutes simultaneously on all cooking zones.

Memory function.

Safety lock.

Child lock.

Pan detection.

Individual residual heat indication.

Cooking zone marking.

Operates with magnetic (induction) iron pots and pans only. For optimal heat distribution, the use of sandwich bottom cookware is recommended.

Appliance height 2 1/4"

Please read the installation details regarding air ducting on page 95

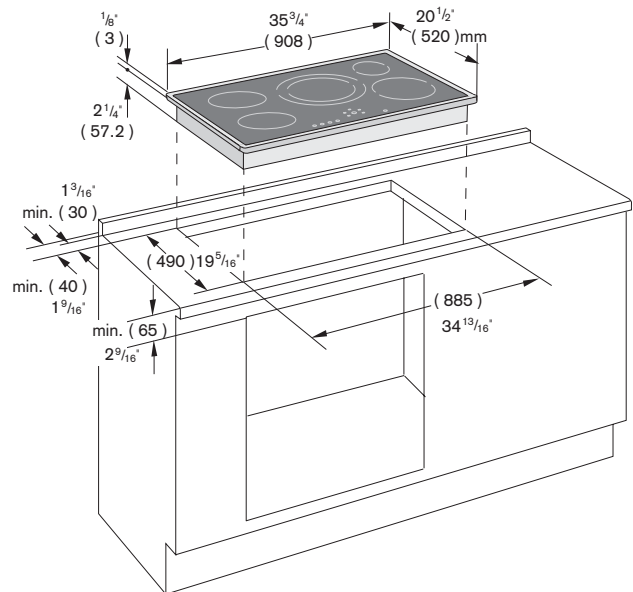
Total rating: 10.8 kw

Total Amps: 45

220 – 240 V / 60HZ

Planning note:

Rating:



Numbers indicated inside parenthesis () = mm