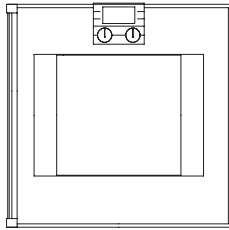


New 200 Series Single Oven

Metal behind glass

Pyrolytic self-cleaning system

Width 24" (60 cm)



Right-hinged

BO 250-610*

Stainless steel-backed full glass door

BO 250-630*

aluminum-backed full glass door

Left-hinged

BO 251-610*

Stainless steel-backed full glass door

BO 251-630*

aluminum-backed full glass door

*Available 3rd quarter 2007.

Included accessories:

- One core temperature sensor.
- One wire rack.
- One baking tray.
- One broiling tray.

Optional accessories:

BO 250/251-...*

- **Stainless steel or aluminum-backed full glass door** with panoramic view.
- **12 heating modes, with core temperature sensor and baking stone option.** Exceptional equipment for optimum cooking results.
- **Pyrolytic system** for easy oven cleaning.

Universal heating system with 12 heating modes.
Electronic temperature control from 85°F – 570°F.
Net volume 3.2 cu.ft.

LCD function display with digital clock.
Timer functions: cooking time, switch off time, short-term timer, stop watch, long-term timer.
Rotary knob and touch key operation.

Core temperature sensor with automatic shut off.
Thermo-Test actual temperature display.
Super-Quick preheat.
Baking stone outlet.
Menu settings.
Removable broil heating element.
60 W halogen light on the top.
10 W halogen light on the side.
Gaggenau Clean-Enamel.
Enameled wire racks on the side with 4 rack levels, pyrolytic safe.
Thermally insulated door with quadruple glazing.
Child lock.
Safety lock.
Side-opening door opens up to 180° angle.
Cooled housing with temperature protection.

Pyrolytic self-cleaning.
Heated air cleaning catalyst.

BA 056-131 Baking stone with support and pizza peel (heating element must be ordered separately).

BA 056-110 Heating element.
Necessary accessory for baking stone BA 056-131.

A cast roaster for the roasting function of the new BO 200 Series is in development.

Additional accessories on page 25-26.

Planning notes:

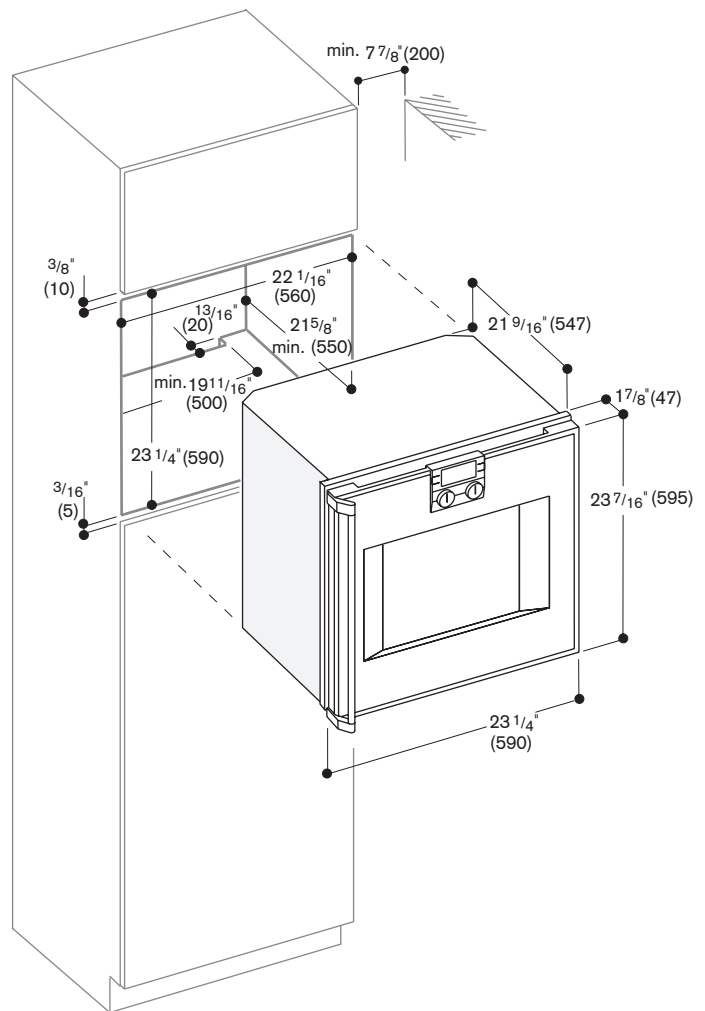
Door hinge not reversible.

The front of the appliance extends 1 7/8" from the cabinet front.
The outer edge of the door handle extends 3 11/16" from the cabinet front.
When planning a corner solution, pay attention to the 90° door opening angle.
Consider the overhang, incl. the door handle, when planning to open drawers next to the appliance.
Plan a gap of at least 3/16" between the appliance and adjacent cabinets.
To achieve the 21 5/8" installation depth, the connecting cable needs to follow the slanted edge on the lower right hand corner of the housing. The plug needs to be planned outside of the cut-out.

Rating:

Total rating: 3.7 kW.
Total Amps: 16 Amps
208/220-240V/60Hz

Plan for a connecting cable.



Numbers indicated inside parenthesis () = mm