

Cristal HC

powerful, practical, pretty

- slideout rangehood
- slim styling
- closes flush with cabinets
- easily replaces existing hoods
- 500 cfm
- 1 glass covered fluorescent light
- 3 speed control
- dishwasher safe grease filters
- convertible to recirculating
- top or direct rear venting
- built-in mounting system
- sone range: 3.5 - 6.5
- 6" round duct

INTEGRATED



For a streamlined look in the kitchen, the Cristal HC is your integrated solution. The Cristal HC has a sleek pull-out visor which slides in, flush with your cabinets, neatly tucking the hood away. For total integration, the front strip can be replaced with material to match your cabinets, hiding the hood completely.



Size/Color/Model

30 * 5980410
36 * 5980411

* white, black and brushed aluminum front trims come with every Cristal HC in the box

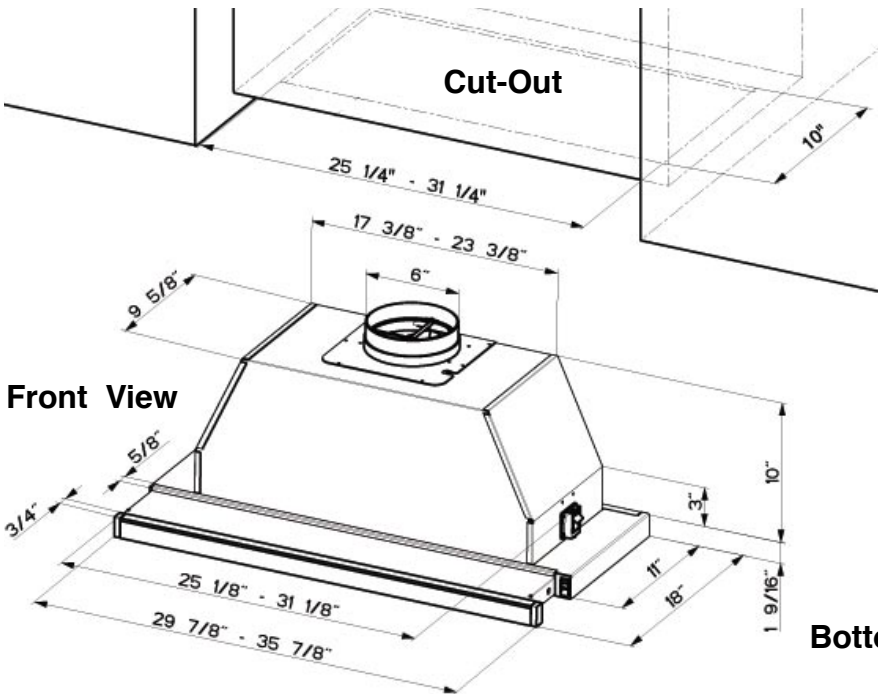
a Charcoal Filters 6093034

c For recirculating installations, high quality, heavy duty filters ensure the removal of smoke and odors from the kitchen. Some ductwork is required to exhaust the unit out of the cabinet.

e Choose from a white, black, or brushed aluminum front strip (all are included in the box). For a totally integrated look, the front strip can also be replaced with a custom built strip to match your cabinets. See reverse for front strip dimensions.

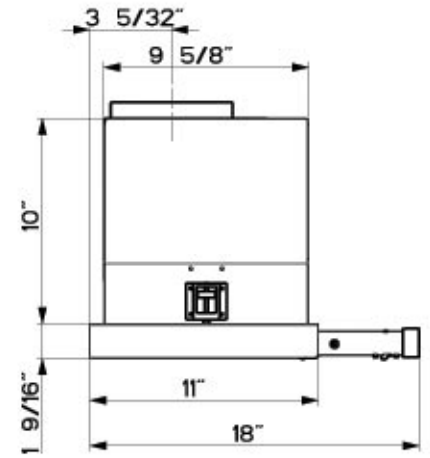


Dimensional Diagrams

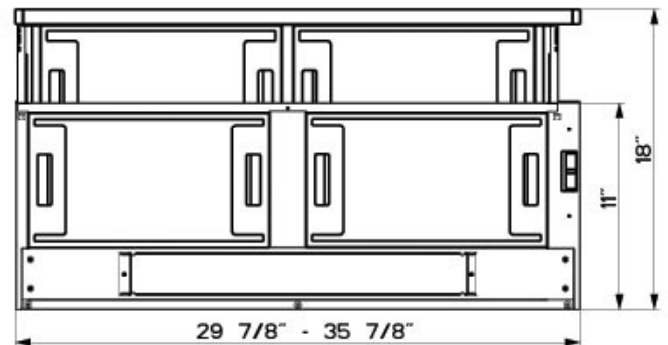


Note: The Cristal HC comes standard in the top vent position. The direct rear vent position can be achieved by rotating the blower housing.

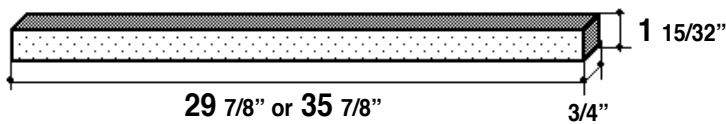
Side View



Bottom View



Custom Front Panel Dimensions



Pre-Planning Your Ductwork - Important: Consult the installation instructions before you begin installing this rangehood.

Make your ductrun as straight and short as possible. The ductrun should not exceed 35 equivalent feet if ducted with the required minimum of 6" round duct. Count 45° angles as 3 feet, 90° elbows as 5 feet, and 90° flat elbows as 12 feet.

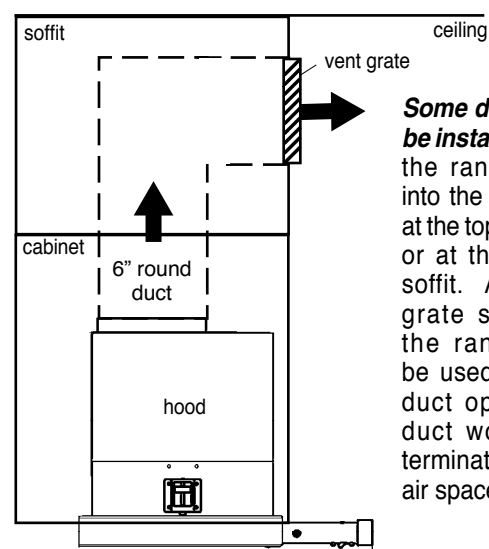
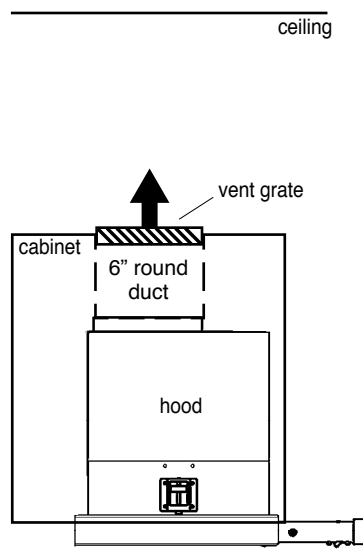
For best results, use no more than three 90° elbows. Make sure that there is a minimum of 24" of straight duct between elbows if more than one is used. **Do not install two elbows together.** If you must elbow right away, do it as far away from the hood's exhaust opening as possible.

For more efficient airflow when venting to the rear: Rotate the Cristal HC blower housing so that the 6" round exhaust outlet faces the back, rather than running ductwork up and elbowing back.

WARNING! Product specifications are subject to change without notification. Consult the installation instructions before you begin installing this rangehood.

Recirculating Installations

For installations where ductwork is impossible or highly impractical **Charcoal Filters**, which attach to the blower assembly, absorb smoke and odors.



Some ductwork must be installed to exhaust the rangehood back into the kitchen, either at the top of the cabinet or at the face of the soffit. A plastic vent grate supplied with the rangehood can be used to cover the duct opening. This duct work must not terminate into a dead air space.