

SPECS / DIMENSIONS



DP304CS 30" PRO HARMONY DUAL-FUEL RANGE WITH 4 STAR® BURNERS

PRINT

APPEARANCE

Oven Cavity (Cubic Feet)	4.4
Number of Sealed Star® Burners	4
Two ExtraLow® Burner	✓
Black Knob Accessory Kit	DFBLKNOB

CONVENIENCE

Rack Positions	5
Number of Racks	3
Optional 3" Island Trim	DFP30IT
Optional 22" High Pot and Pan Shelf	DFP30HS

GENERAL INFORMATION

Approximate Shipping Weight - LBS.	350
Maximum BTU/HR. ††	60000
Maximum KW	6.75

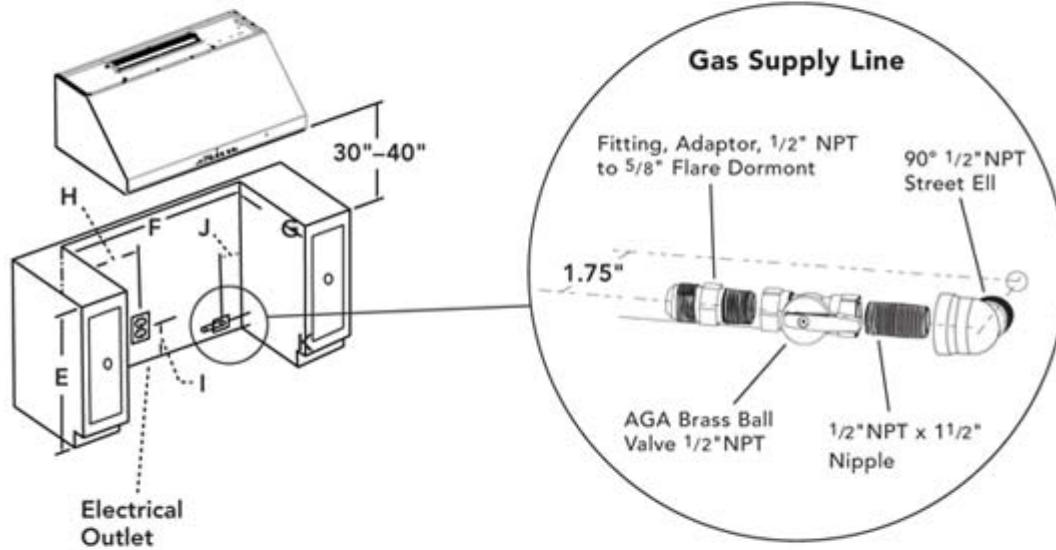
TECHNICAL INFORMATION

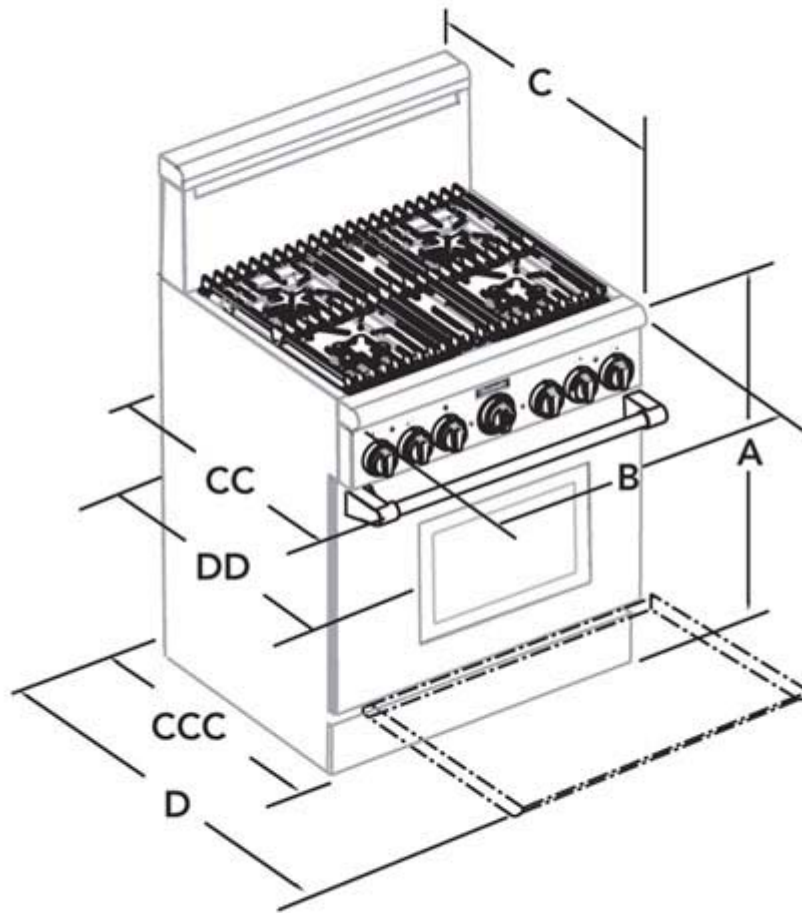
120/240 Volts or 120/208 Volts, 4 Wire, 60 HZ, Single Phase	✓
AMPS	35
Bake	2000 W
Broil	4000 W
Convection	2750 W
L.P. Conversion Kit	PLPKIT

DIMENSIONS (INCHES)

Overall Dimensions - A**	35 7/8 - 36 3/4
Overall Dimensions - B	30
Overall Dimensions - C†	26 1/2
Overall Dimensions - CC‡	27 5/8
Overall Dimensions - CCC	23
Overall Dimensions - D	44 7/8
Overall Dimensions - DD	24 3/4
Cutout Dimensions* E	35 7/8 - 36 3/4
Cutout Dimensions* F	30 1/4
Cutout Dimensions* G	24
Overall Dimensions - H	6
Overall Dimensions - I	8
Overall Dimensions - J	6
Overall Dimensions - K	1 3/4

Diagrams





[Click Here to View Features](#)

Notes: 1) All height, width and depth dimensions are shown in inches. 2) Over doors should be removed for doorway clearance. *Please refer to installation instructions prior to making cutout. Installation instructions and back guard information are available at www.thermador.com. **Height without back guard or high shelf. † Measured to front of bullnose. †† BTU/Hr. includes surface burners and the oven. ***You must install your professional range with one of the back guards listed above. They are ordered separately--except for the 30" range, which comes standard with a 6" back guard. Approved for residential use only. +Measured to front of door handle projection.

Ranges and cooktops are CGA and AGA approved.

For immediate critical installation dimensions by fax, use your fax handset and call (775) 833-3600. Use code #8030 for a directory of Thermador® products.