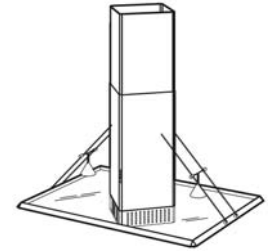


IS502 SERIES RANGE HOODS



A truly distinctive, stunning and avant-garde design. Glass and stainless steel mingle beneath a dramatic lighting system.

FEATURES

- Italian design
- Island mount
- Finish: 304 Stainless Steel #4 Brushed
- Size: 70cm x 100cm (27-9/16" x 39-3/8")
- Ducted telescopic flue accommodates 8' to 9' ceilings
- 6" round duct connector/backdraft damper
- Halogen lighting (2 x 20 watt, Type JC 12V 20W G4 Base) with multilevel lighting provides bright cooktop illumination to a low nighttime setting (bulbs included)
- Advanced, multispeed, electronic push-button control features delay off and filter cleaning reminder
- Quiet, variable-speed centrifugal blower with high-efficiency motor produces 450 CFM of exhaust
- Delay timer control automatically shuts off range hood after ten minutes
- Special control indicates when it's time to clean the filter
- Easily accessible, dishwasher-safe aluminum/stainless steel filter
- Heat Sentry™ - automatically turns blower to high speed when excess cooking heat is detected

OPTIONS

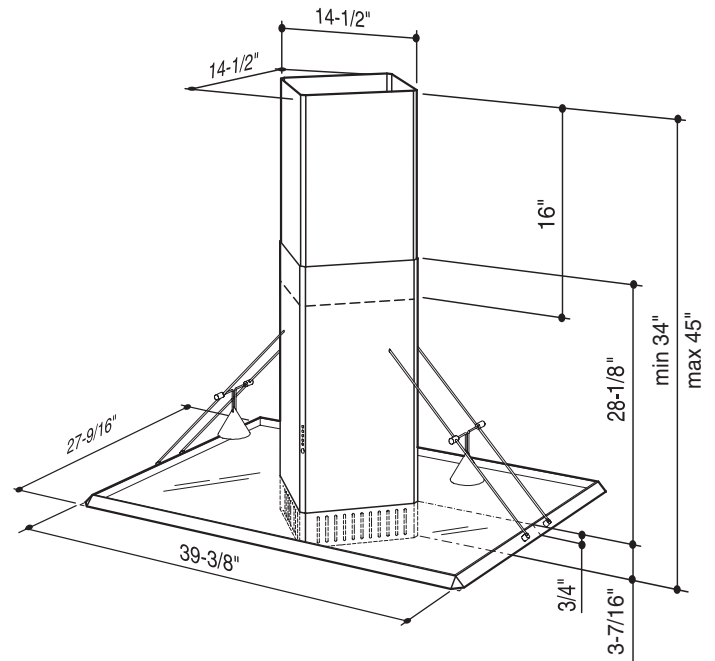
- Replacement grease filter available
- Flue extension for 10' ceiling (Model FEXTIS502SS)
- Replacement bulb (Part No. SB02300891)

SPECIFICATIONS

VOLTS	AMPS	CFM	SONES	DUCT
120	3.13	450	8.5	6" round



BEST BY BROAN P.O. BOX 140 HARTFORD, WISCONSIN 53027



Mount range hood so bottom of hood is:
24" to 26" above cooktop on an 8-foot ceiling
27" to 30" above cooktop on a 9-foot ceiling



HVI-2100 CERTIFIED RATINGS comply with new testing technologies and procedures prescribed by the Home Ventilating Institute, for off-the-shelf products, as they are available to consumers. Product performance is rated at 0.1 in. static pressure, based on tests conducted in AMCA's state-of-the-art test laboratory. Sones are a measure of humanly-perceived loudness, based on laboratory measurements.

REFERENCE	QTY.	REMARKS	Project
			Location
			Architect
			Engineer
			Contractor
			Submitted by
			Date

IS502 SERIES WIRING

