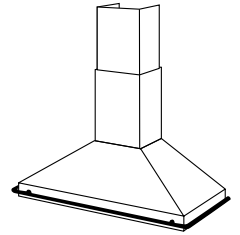


# KER222 SERIES RANGE HOODS



Tubular, wrap-around utensil rail serves as both a stunning accent and a practical addition to this elegant design. Side rails can be conveniently removed for installation between cabinets.

### FEATURES

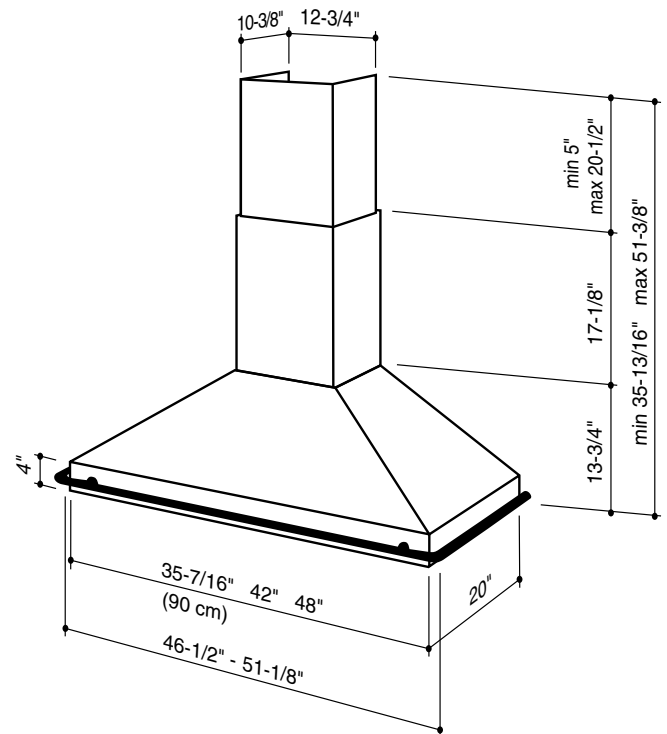
- Italian design
- Wall mount
- Finishes: 304 Stainless Steel #4 Brushed, White, Black, Polished Brass, Brushed Copper
- Widths: 90cm, 42", 48"
- Telescopic flue accommodates 8' to 9' ceilings
- 8" round duct connector/backdraft damper
- Halogen lighting (90cm: 2 x 20 watt; 42" & 48": 4 x 20 watt)
- Pushbutton controls: on/off lights, four speeds, delay-off, filter cleaning indicator
- Twin centrifugal blower
- Dishwasher-safe stainless steel/aluminum filters

### OPTIONS

- Backsplash available (Model BSK1)
- Flue extension for 10' ceilings (Model FEXTK42)
- Replacement grease filters available
- Replacement bulb (Part No. SB02300722)
- Exterior blower version (KEX222) available, providing 600, 900, 1200, or 1500 CFM exhaust

### SPECIFICATIONS

VOLTS	AMPS	CFM	DUCT
120	5.1	1100	8" round

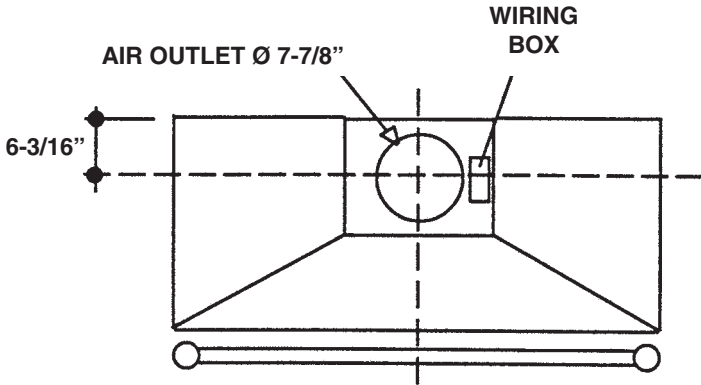


Mount range hood so bottom of hood is 24" to 30" above cooking surface.

BEST BY BROAN P.O. BOX 140 HARTFORD, WISCONSIN 53027

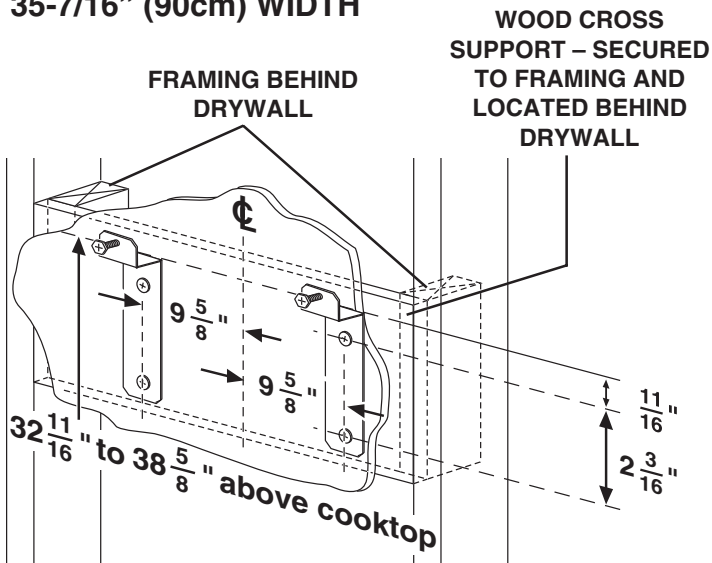
REFERENCE	QTY.	REMARKS	Project
			Location
			Architect
			Engineer
			Contractor
			Submitted by
			Date

# KER222 SERIES WIRING



# KER222 SERIES MOUNTING

35-7/16" (90cm) WIDTH

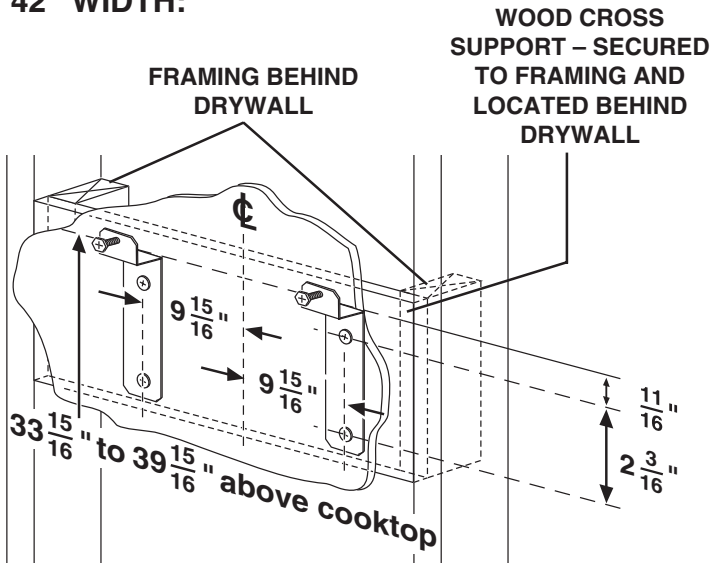


32-11/16" = bottom of hood 24" above cooktop  
 38-5/8" = bottom of hood 30" above cooktop

Holes for fixing to the wall Ø 8mm (5/16")

# KER222 SERIES MOUNTING

42" WIDTH:

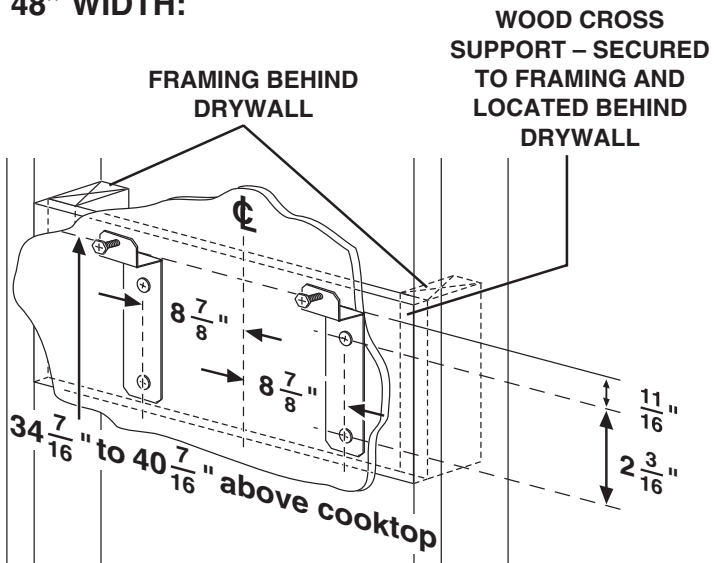


33-15/16" = bottom of hood 24" above cooktop  
 39-15/16" = bottom of hood 30" above cooktop

Holes for fixing to the wall Ø 8mm (5/16")

# KER222 SERIES MOUNTING

48" WIDTH:



34-7/16" = bottom of hood 24" above cooktop  
 40-7/16" = bottom of hood 30" above cooktop

Holes for fixing to the wall Ø 8mm (5/16")



BEST BY BROAN P.O. BOX 140 HARTFORD, WISCONSIN 53027