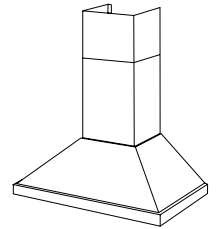


K41 SERIES RANGE HOODS



Class pyramidal lines create a statement of simple elegance.

FEATURES

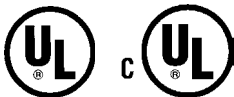
- Italian design
- Wall mount
- Finishes: Stainless Steel, White, Black, Polished Brass, Brushed Copper
- Widths: 30", 36", 48" and 90cm
- Telescopic flue accommodates 8' to 9' ceilings
- 6" round duct connector/backdraft damper
- Convertible to duct-free operation (requires Model No. REKITK41 sold separately)
- Halogen lighting (2 x 20 watt, MR16)
- Slide controls: on-off, infinite speed
- Single centrifugal blower
- Dishwasher-safe stainless steel/aluminum filter

OPTIONS

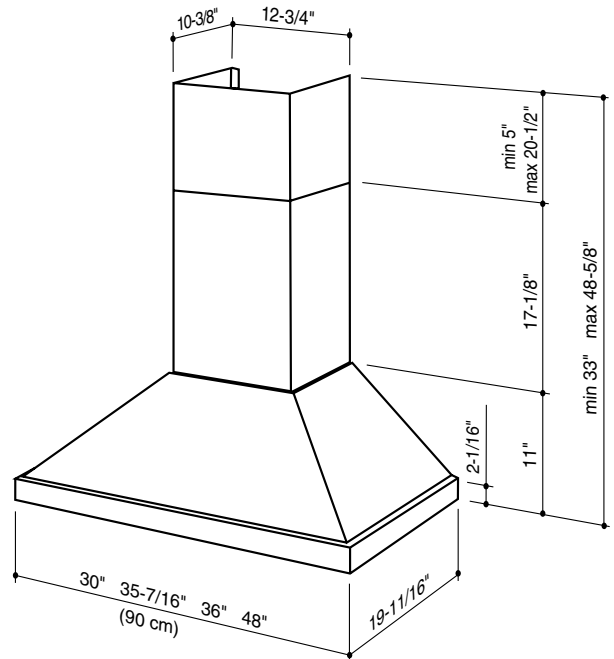
- Backsplash available (Model BSK1)
- Accent trim in contrasting or complementary finishes (Model No. FTK42)
- Flue extension for 10' ceiling (ducted only) (Model No. FEXTK42)
- Recirculating filter (Model No. ROUND FILTER)
- Replacement grease filters available
- Replacement bulb (Part No. S02300668)

SPECIFICATIONS

| VOLTS | AMPS | CFM (L/S) | DUCT |
|-------|------|-----------|------------|
| 120 | 3.1 | 600 (20) | 6" (152mm) |



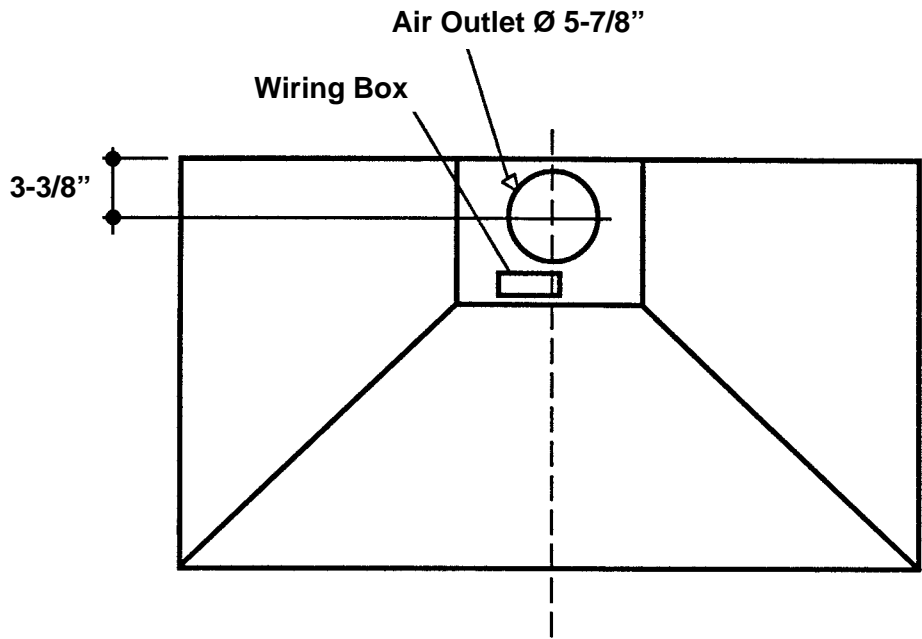
BEST BY BROAN P.O. BOX 140 HARTFORD, WISCONSIN 53027



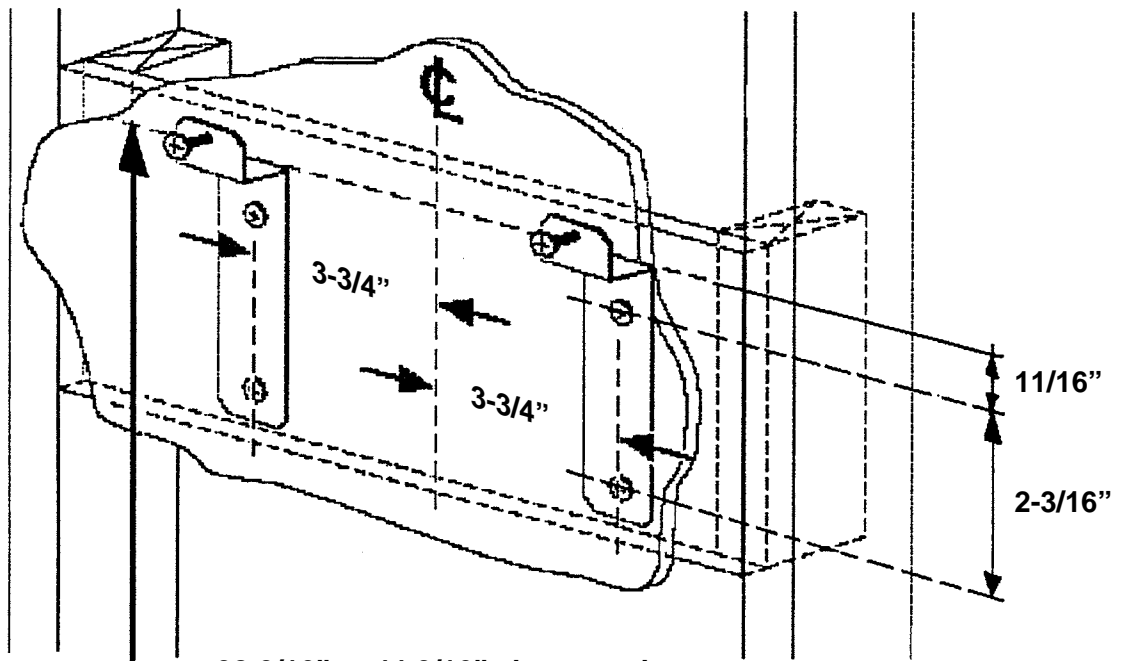
Mount range hood so bottom of hood is 24" to 30" above cooking surface.

| REFERENCE | QTY. | REMARKS | Project |
|-----------|------|---------|-------------------|
| | | | Location |
| | | | Architect |
| | | | Engineer |
| | | | Contractor |
| | | | Submitted by Date |

K41 SERIES WIRING



K41 SERIES MOUNTING



38-3/16" to 44-3/16" above cooktop

38-3/16" = bottom of hood 24" above cooktop
44-3/16" = bottom of hood 30" above cooktop

Holes for fixing to the wall Ø 8mm (5/16")



BEST BY BROAN P.O. BOX 140 HARTFORD, WISCONSIN 53027