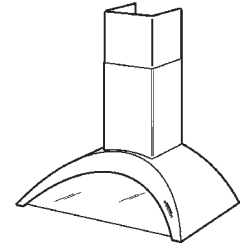


# KEX3500 SERIES RANGE HOODS



Exterior blower provides higher exhaust options, ranging from 600 to 1500 CFM.

Curved, sweeping surfaces blend imperceptibly into a magnificent glass reveal.

### FEATURES

- Italian design
- Wall mount
- Finish: 304 Stainless Steel #4 Brushed
- Width: 35-7/16" (90cm)
- Ducted telescopic flue accommodates 8' to 9' ceilings
- 8" round duct connector/backdraft damper
- Halogen lighting (2 x 20 watt, Type T4) provides two-level lighting – bright cooktop illumination and a low nighttime setting
- Advanced, multispeed, electronic push-button controls with individual speed indicators
- Exterior mounted blower available in either 600, 900, 1200, or 1500 CFM
- Delay timer control automatically shuts off range hood after ten minutes
- Special control indicates when it's time to clean the filter
- Dishwasher-safe aluminum filter features a quick-release latch and a curved, designer appearance

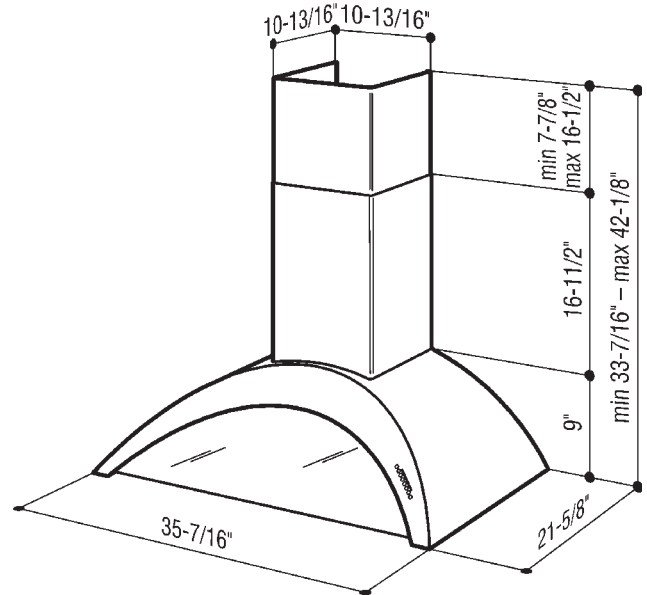
### OPTIONS

- 8" to 10" transition (Model 414)
- Replacement grease filters available (Part No. SB08087150)
- Flue extension for 10' ceiling (Model FEXTK3500SS)
- Interior blower version (K3500) available, providing 450CFM exhaust



### SPECIFICATIONS

VOLTS	AMPS	CFM	DUCT
120	6.0 max	600 (EB6) 900 (EB9) 1200 (EB12) 1500 (EB15)	8" at Range Hood 10" at Exterior Blower

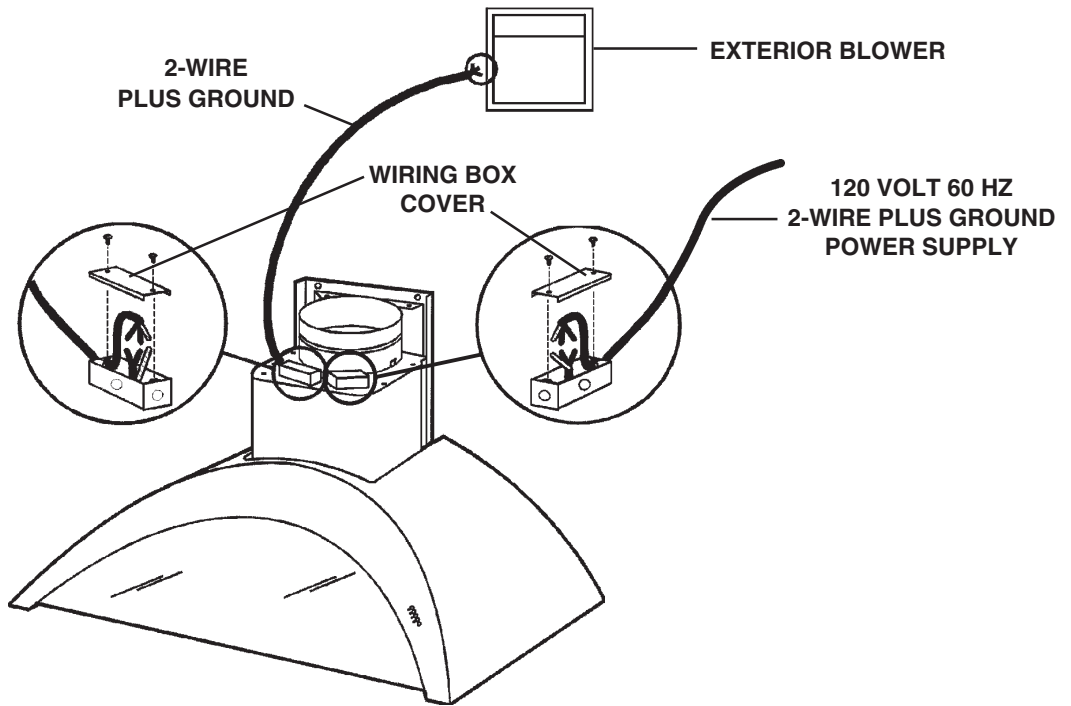


Mount range hood so bottom of hood is 24" to 30" above cooking surface.

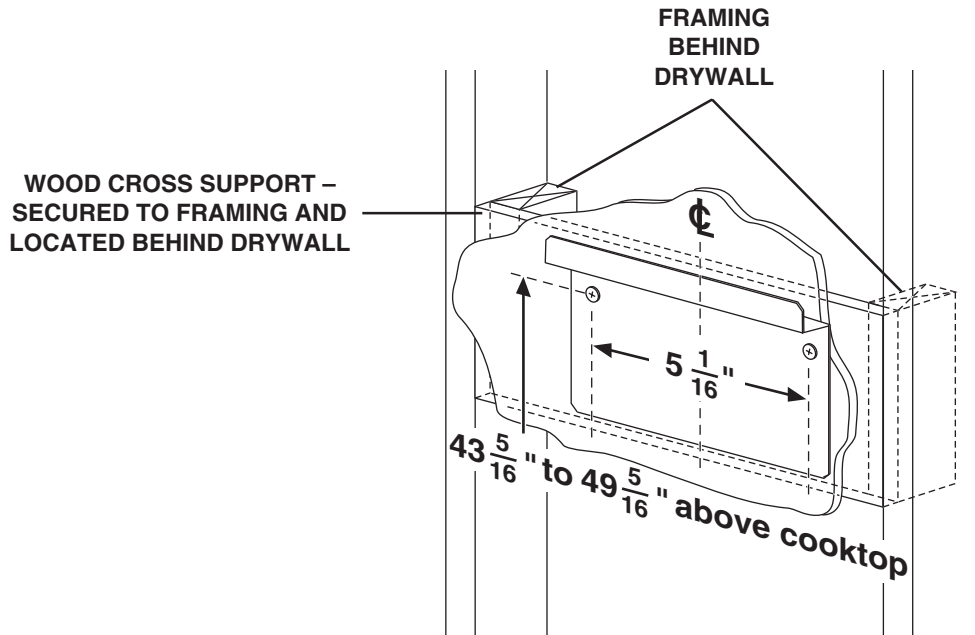
BEST BY BROAN P.O. BOX 140 HARTFORD, WISCONSIN 53027

REFERENCE	QTY.	REMARKS	Project
			Location
			Architect
			Engineer
			Contractor
			Submitted by
			Date

# KEX3500 SERIES WIRING



# KEX3500 SERIES MOUNTING



$43\text{-}5/16$ " = bottom of hood 24" above cooktop  
 $49\text{-}5/16$ " = bottom of hood 30" above cooktop



BEST BY BROAN P.O. BOX 140 HARTFORD, WISCONSIN 53027