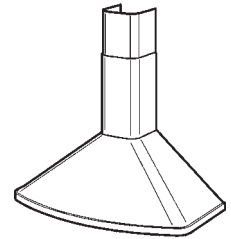


K3139 SERIES RANGE HOODS



Traditional Italian style and a soft-radius design beautifully merge to create a hand-rolled masterpiece.

FEATURES

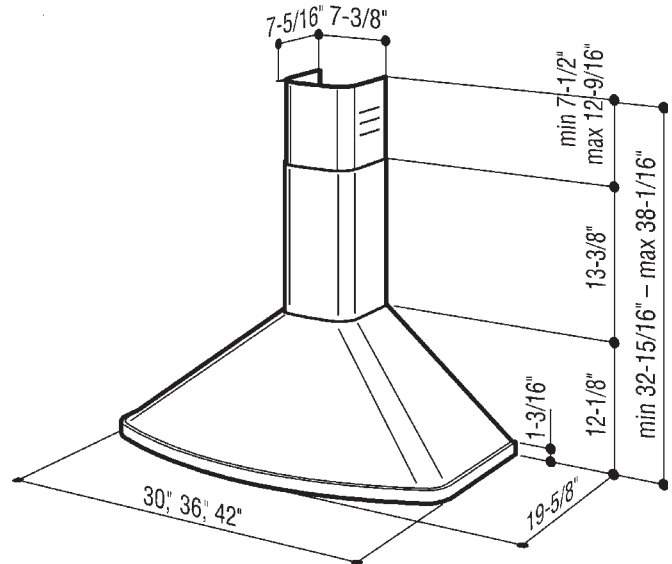
- Italian design
- Wall mount
- Finishes: 430 Stainless Steel #4 Brushed, White, Black
- Widths: 30", 36", 42"
- Ducted/non-ducted telescopic flue accommodates 8' to 9' ceilings
- 6" round duct connector/backdraft damper
- Halogen lighting (2 x 20 watt, Type T4)
- Multispeed push-button controls feature an "On" indicator
- Quiet, variable-speed centrifugal blower with high-efficiency motor produces 400 CFM of exhaust
- Can be ducted to the outside or non-ducted for indoor recirculation (purchase recirculation kit separately)
- Dishwasher-safe filter features a quick-release latch and decorative cover plate

OPTIONS

- Backsplash available (Contact Broan Technical Support)
- Replacement grease filters available (Part No. SB08087151)
- Non-ducted recirculation kit (Model NDK3139)
- Replacement charcoal filters available (Model FILTEREB40)
- Flue extension for 10' ceiling (for ducted applications) (Model FEXTK3139 in Stainless Steel, White, Black)

SPECIFICATIONS

VOLTS	AMPS	CFM	DUCT
120	2.63	400	6" round



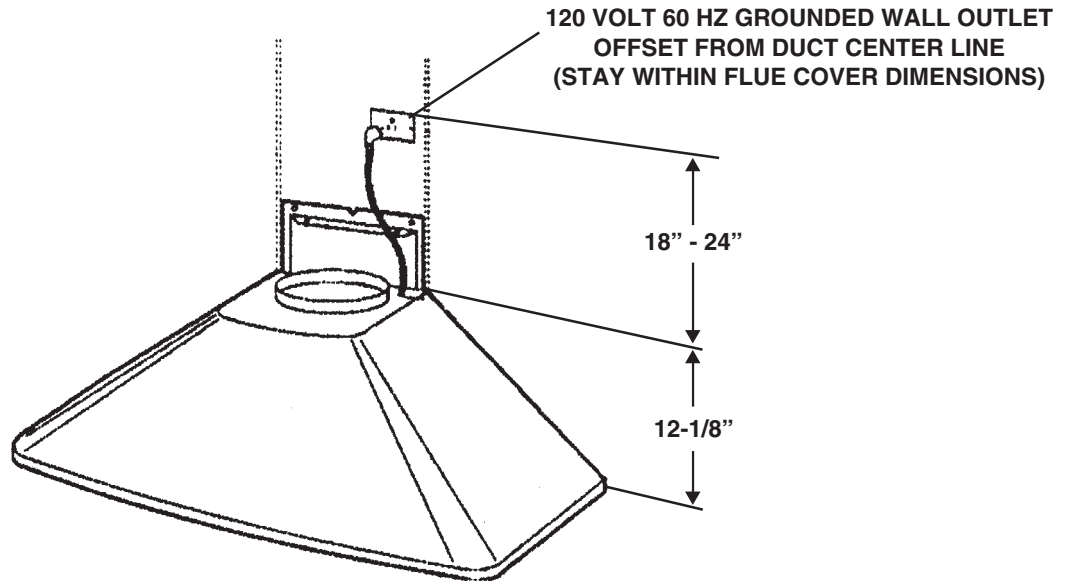
Mount range hood so bottom of hood is 24" to 30" above cooking surface.



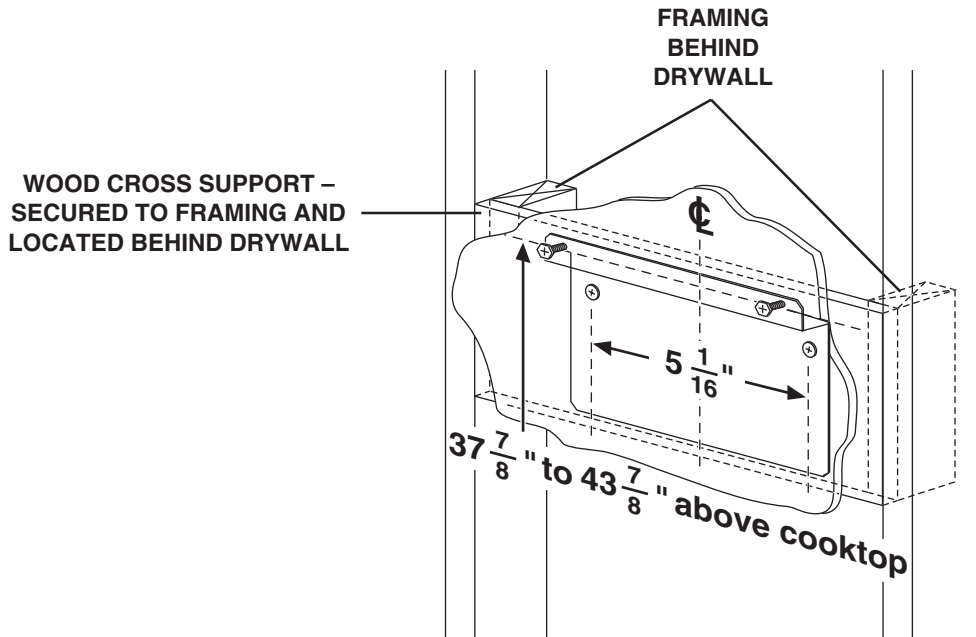
BEST BY BROAN P.O. BOX 140 HARTFORD, WISCONSIN 53027

REFERENCE	QTY.	REMARKS	Project
			Location
			Architect
			Engineer
			Contractor
			Submitted by Date

K3139 SERIES WIRING



K3139 SERIES MOUNTING



37-7/8 = bottom of hood 24" above cooktop
43-7/8 = bottom of hood 30" above cooktop



BEST BY BROAN P.O. BOX 140 HARTFORD, WISCONSIN 53027