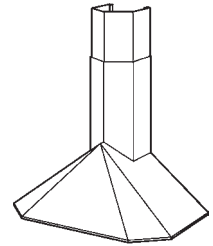


# K30 SERIES RANGE HOODS



Seamless, handcrafted beauty and multifaceted construction create a timeless object of desire.

**FEATURES**

- Italian design
- Wall mount
- Finishes: 304 Stainless Steel #4 Brushed, White, Black
- Widths: 35-7/16" (90cm), 48"
- Ducted telescopic flue accommodates 8' to 9' ceilings
- 6" round duct connector/backdraft damper
- Halogen lighting (2 x 20 watt, Type MR16 for 35-7/16" model; 3 x 20 watt, Type MR16 for 48" model) provides two-level lighting – bright cooktop illumination and a low nighttime setting
- Advanced, multispeed, electronic push-button controls with individual speed indicators
- Quiet, variable-speed centrifugal blower with high-efficiency motor produces 500 CFM of exhaust
- Delay timer control automatically shuts off range hood after ten minutes
- Special control indicates when it's time to clean the filter
- Dishwasher-safe filters feature a quick-release latch and polished stainless steel

**OPTIONS**

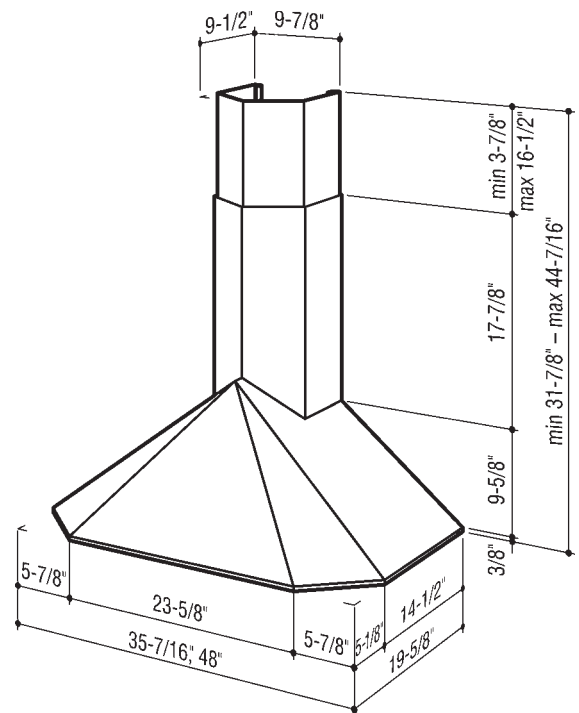
- Replacement grease filters available (Part No. SB08087296)
- Flue extension for 10' ceiling (Model FEXTK30 in Stainless Steel, White, Black)
- Exterior blower version (KEX30) available, providing 600, 900, 1200, or 1500 CFM exhaust

**SPECIFICATIONS**

VOLTS	AMPS	CFM	DUCT
120	3.13	500	6" round



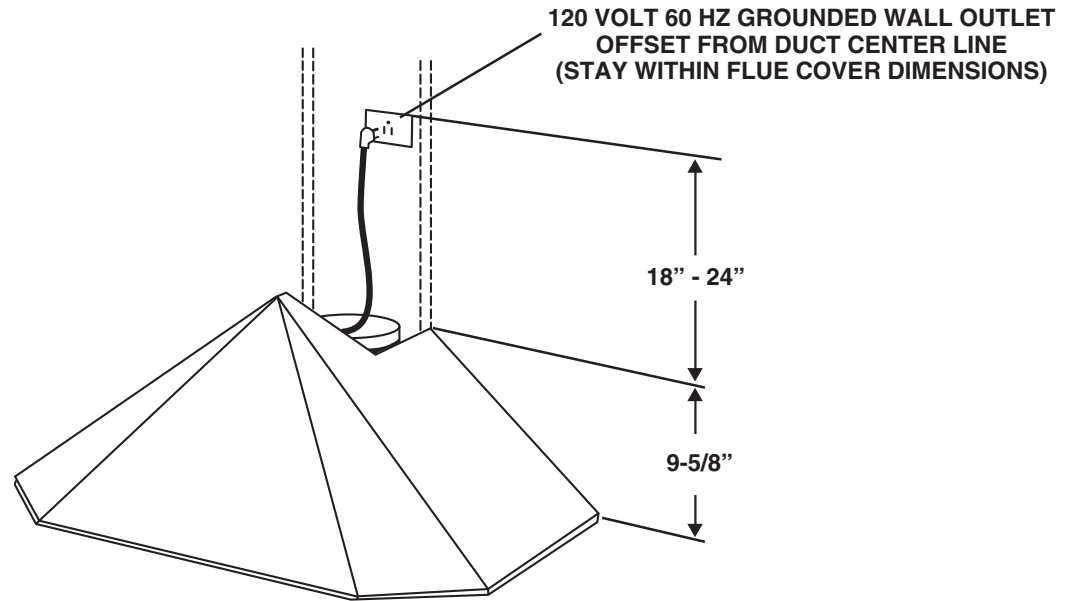
BEST BY BROAN P.O. BOX 140 HARTFORD, WISCONSIN 53027



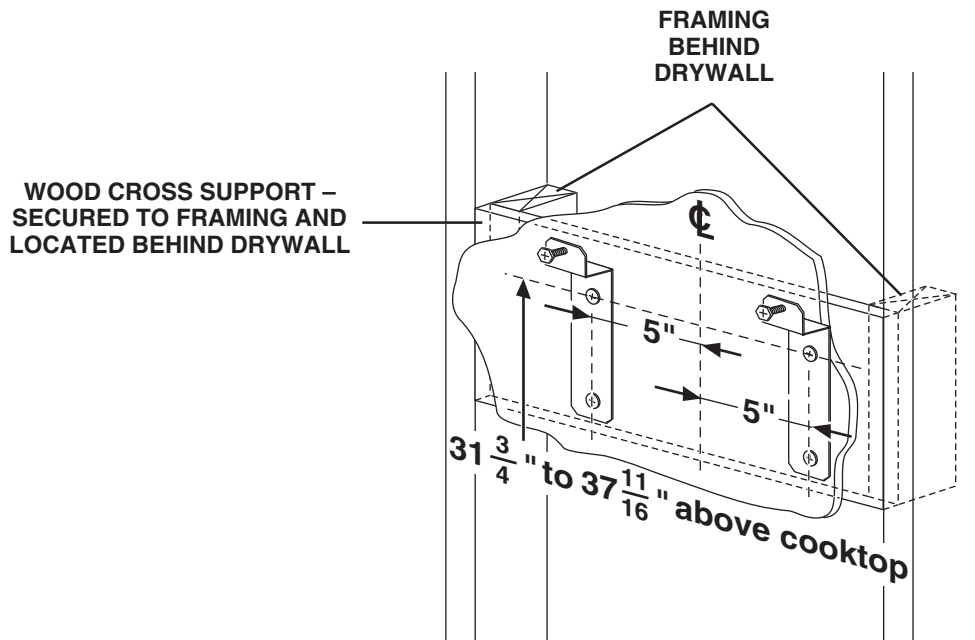
Mount range hood so bottom of hood is 24" to 30" above cooking surface.

REFERENCE	QTY.	REMARKS	Project
			Location
			Architect
			Engineer
			Contractor
			Submitted by
			Date

# K30 SERIES WIRING



# K30 SERIES MOUNTING



31-3/4" = bottom of hood 24" above cooktop  
37-11/16" = bottom of hood 30" above cooktop