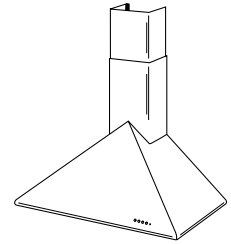


K29 SERIES RANGE HOODS



The compelling simplicity of the classic pyramid shape unites with our hand-rolled, seamless-look construction to create a striking wall-mounted design.

FEATURES

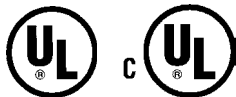
- Italian design
- Wall mount
- Finishes: Stainless Steel, White, Black, Polished Brass, Polished Copper
- Widths: 90cm, 48"
- Telescopic flue accommodates 8' to 9' ceilings
- 6" round duct connector/backdraft damper
- Convertible to duct-free operation – use recirculating filter (purchase separately)
- Halogen lighting (90cm: 2 x 20 watt; 48": 4 x 20 watt, Type T4)
- Push button controls: lights and three speeds
- Single centrifugal blower
- Dishwasher-safe aluminum filters

OPTIONS

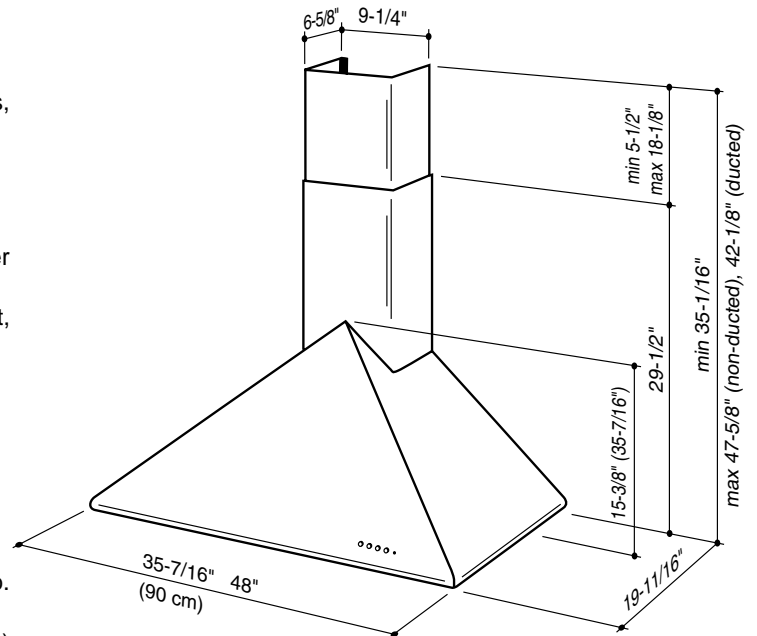
- Backsplash available (Model No. BSK6)
- Flue extension for 10' ceiling (ducted only) (Model No. FEXTK23)
- Recirculating filter (Model No. K3490CM/FILTER K3448)
- Replacement grease filters available
- Replacement bulb (Part No. SB02300722)

SPECIFICATIONS

VOLTS	AMPS	CFM (L/S)	DUCT
120	3.1	600 (20)	6" (152mm)



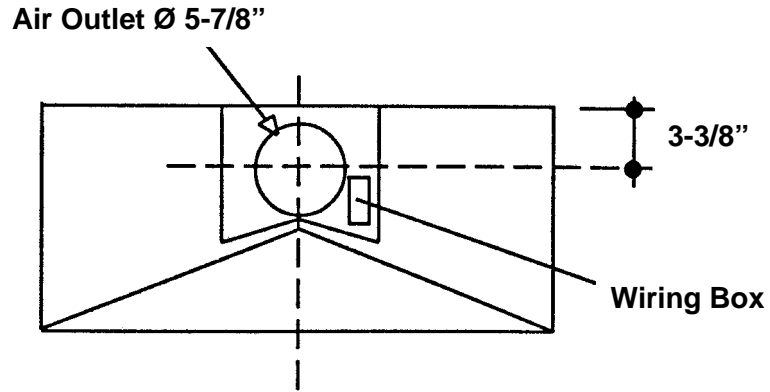
BEST BY BROAN P.O. BOX 140 HARTFORD, WISCONSIN 53027



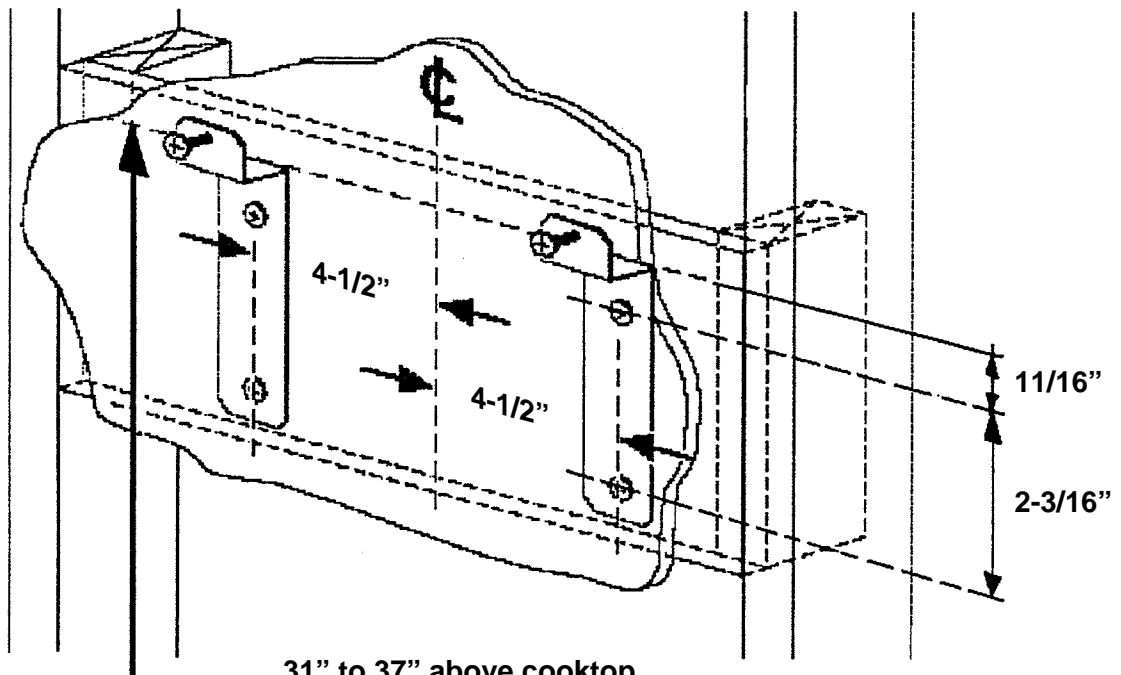
Mount range hood so bottom of hood is 24" to 30" above cooking surface.

REFERENCE	QTY.	REMARKS	Project
			Location
			Architect
			Engineer
			Contractor
			Submitted by
			Date

K29 SERIES WIRING



K29 SERIES MOUNTING



31" = bottom of hood 24" above cooktop
37" = bottom of hood 30" above cooktop

Holes for fixing to the wall Ø 8mm (5/16")

