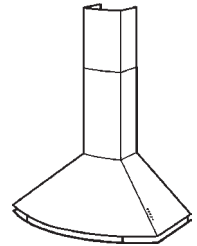


K273 SERIES RANGE HOODS



A delightful combination of curved and angular surfaces gives this handcrafted chimney hood a sensational appearance that complements high-design kitchens.

FEATURES

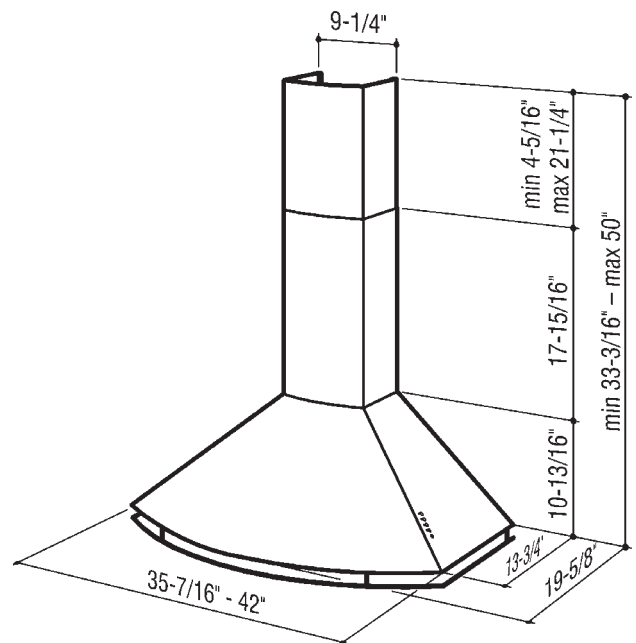
- Italian design
- Wall mount
- Finishes: 304 Stainless Steel #4 Brushed, White, Black
- Widths: 35-7/16" (90cm), 42"
- Stainless steel utensil rail
- Ducted telescopic flue accommodates 8' to 9' ceilings
- 6" round duct connector/backdraft damper
- Halogen lighting (2 x 20 watt, Type MR16)
- Advanced, multispeed, electronic push-button controls with individual speed indicators
- Quiet, variable-speed centrifugal blower with high-efficiency motor produces 500 CFM of exhaust
- Delay timer control automatically shuts off range hood after ten minutes
- Special control indicates when it's time to clean the filter
- Dishwasher-safe filters feature a quick-release latch and polished stainless steel

OPTIONS

- Replacement grease filters available (Part No. SB08087299)
- Flue extension for 10' ceiling (Model FEXTK273 in Stainless Steel, White, Black)
- Exterior blower version (KEX273) available, providing 600, 900, 1200, or 1500 CFM exhaust

SPECIFICATIONS

VOLTS	AMPS	CFM	DUCT
120	3.13	500	6" round

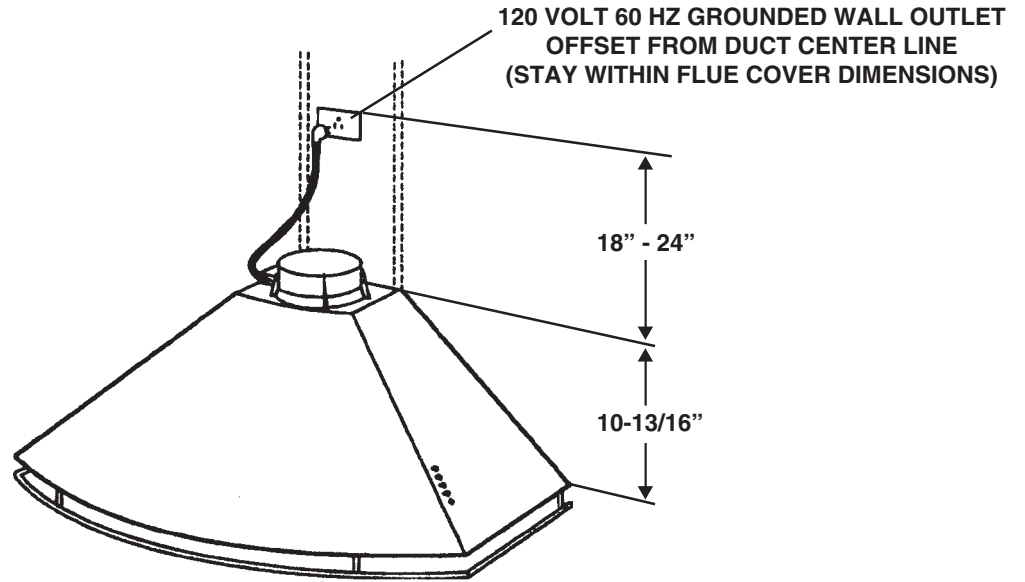


Mount range hood so bottom of hood is 24" to 30" above cooking surface.

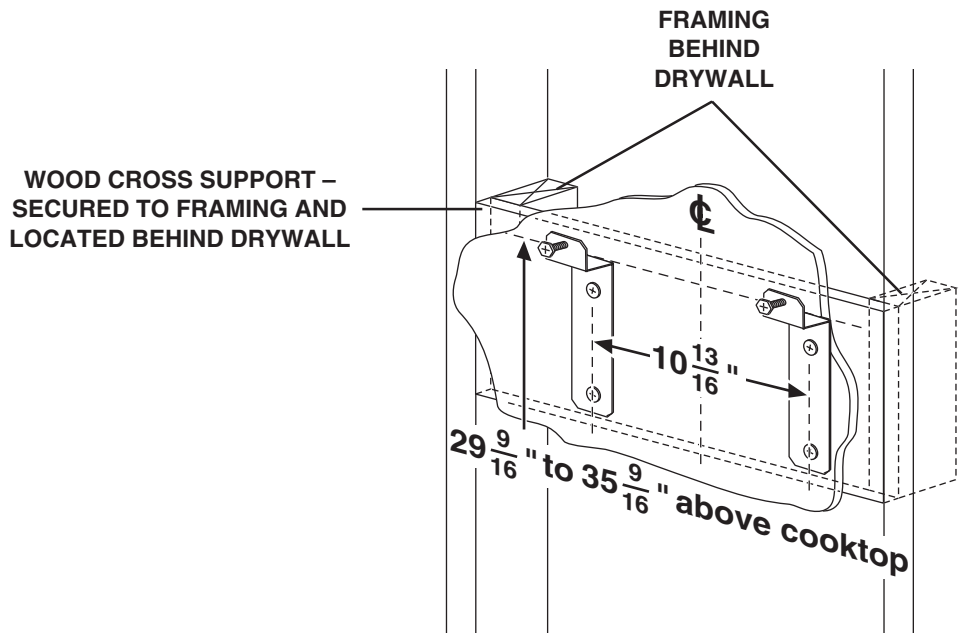
BEST BY BROAN P.O. BOX 140 HARTFORD, WISCONSIN 53027

REFERENCE	QTY.	REMARKS	Project
			Location
			Architect
			Engineer
			Contractor
			Submitted by
			Date

K273 SERIES WIRING



K273 SERIES MOUNTING



29-9/16 = bottom of hood 24" above cooktop
35-9/16 = bottom of hood 30" above cooktop



BEST BY BROAN P.O. BOX 140 HARTFORD, WISCONSIN 53027