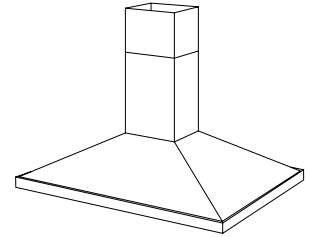


IS42 SERIES RANGE HOODS



Controls unobtrusively mounted out of sight; clean exterior surface accentuates the seamless look of this classic angular design.

FEATURES

- Italian design
- Island ceiling mount
- Finishes: 304 Stainless Steel #4 Brushed, White, Black, Polished Brass, Brushed Copper
- Sizes: 70cm x 100cm (27-9/16" x 39-3/8"), 90cm x 130cm (35-7/16" x 51-3/16")
- Telescopic flue accommodates 8' to 9' ceilings
- 8" round duct connector/backdraft damper
- Halogen lighting (4 x 20 watt, Type MR16) provides bright cooktop illumination
- Slide controls: on-off, variable speed
- Quiet, variable-speed, dual centrifugal blowers with two high-efficiency motors produce 1100 CFM of exhaust
- Dishwasher-safe filter features a quick-release latch and decorative cover plate

OPTIONS

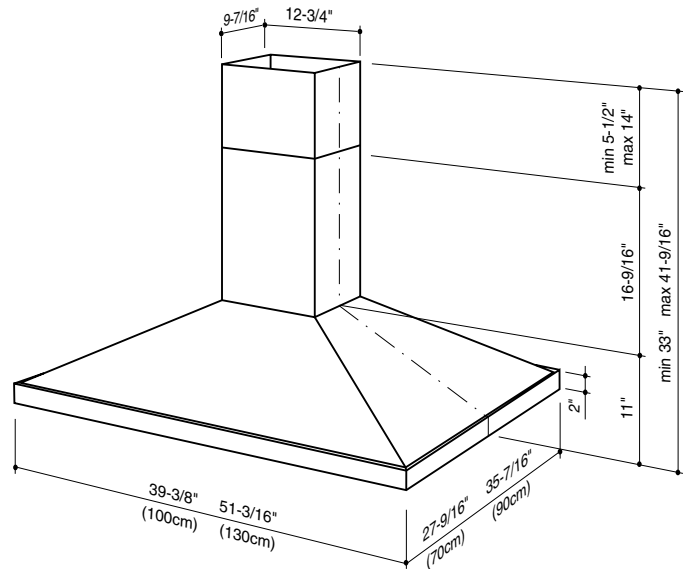
- Flue extension for 10' ceiling (Model FEXTIS42)
- Accent Trim (Model FTIS42: Stainless Steel, White, Black, Polished Brass)
- Replacement grease filters available (Part No. SB08087151)
- Replacement bulb (Part No. SB02300668)
- Exterior blower version (IEX42) available, providing 600, 900, 1200, or 1500 CFM exhaust

SPECIFICATIONS

VOLTS	AMPS	CFM	DUCT
120	5.5	1100	8" round



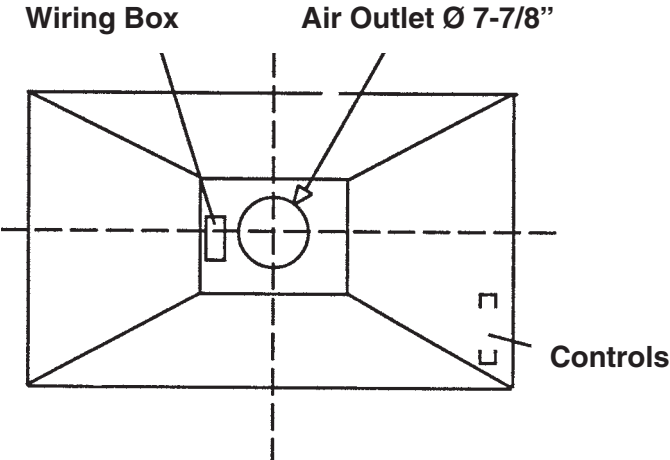
BEST BY BROAN P.O. BOX 140 HARTFORD, WISCONSIN 53027



Mount range hood so bottom of hood is 24" to 30" above cooking surface.

REFERENCE	QTY.	REMARKS	Project
			Location
			Architect
			Engineer
			Contractor
			Submitted by
			Date

IS42 SERIES WIRING



IS42 SERIES MOUNTING

