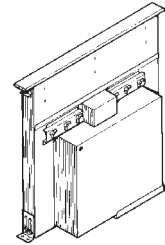


MODELS DD0130SS, DD0136SS, DD0148SS DOWNDRAFT



Exhaust your cooktop without the use of an overhead hood. Compact design is installed directly behind cooktop.

FEATURES

HOUSING:

- Rugged steel construction
- Finished with silver paint
- Space-saving - can be used with most cooktops on the market
- 30", 36", or 48" widths - Fits standard-size cabinets

BLOWER:

- Dynamically-balanced 9-1/8" dia. x 2-1/8" centrifugal blower wheel for quiet, efficient performance
- Permanently lubricated, thermally-protected motor
- Neoprene, resilient anti-vibration mounts
- Unit plugs directly into 120 VAC, 60 HZ, grounded outlet
- Uses standard 3-1/4" x 10" duct connector
- 3-position discharge - scroll box moveable to adjust to floor joists

CHIMNEY ASSEMBLY:

- Brushed stainless steel cover - just press button to turn unit "ON"
- Chimney rises 9½" when activated - ideal for large pots and pans
- Stylish, stainless steel filters with aluminum mesh - easy to remove and dishwasher-safe
- Stainless steel chimney front and back - makes cleanup quick and easy
- Top cover-mounted, 3-speed control, with delay off and clean filter reminder
- Heat Sentry adjusts speed of blower in case of excess heat
- Conveniently located button - press to lower air vent and turn unit "OFF"
- Remote Control activates downdraft from alternate location

TYPICAL SPECIFICATION

Downdraft blower system shall be Best® Model DD0130SS (DD0136SS) (DD0148SS).

Unit to have steel housing with silver paint finish. Air vent to rise at least 9½" and have a stainless steel front and back for ease of cleaning.

Filters to be stainless steel with aluminum mesh, easy to remove and dishwasher-safe.

Blower will connect directly to 3¼" x 10" rectangular duct (6" round duct using a transition). Blower discharge to be convertible to accommodate ductwork from LEFT, RIGHT, or BELOW and have 7½" side-to-side adjustment.

Motor shall be mounted to blower assembly with grease resistant anti-vibration mounts, be removable, and lifetime lubricated.

Unit to include Heat Sentry, to adjust blower speed in case of excess heat.

Unit to include remote control activation button.

Downdraft system shall operate on 120 VAC and be able to be plugged into a standard grounded outlet. It will have a 3-speed blower control, with delay off, and clean filter reminder.

Air delivery shall be no less than 500 CFM. Air delivery rating shall be certified by HVI. Downdraft blower system to be U.L. listed.

SPECIFICATIONS

VOLTS	AMPS	CFM	DUCT
120	4.0	500	3-1/4" x 10"



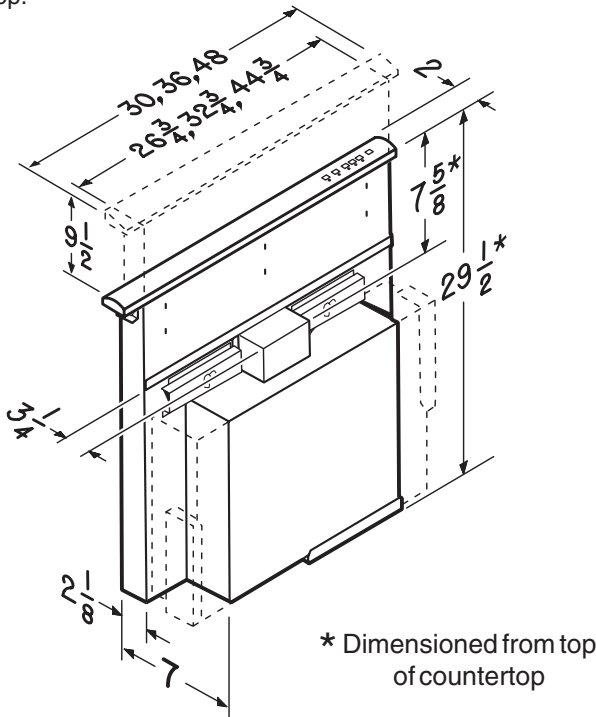
HVI2100 CERTIFIED RATINGS comply with new testing technologies and procedures prescribed by the Home Ventilating Institute, for off-the-shelf products, as they are available to consumers. Product performance is rated at 0.1 in. static pressure, based on tests conducted in AMCA's state-of-the-art test laboratory. Sones are a measure of humanly-perceived loudness, based on laboratory measurements.

REFERENCE	QTY.	REMARKS	Project
			Location
			Architect
			Engineer
			Contractor
			Submitted by Date

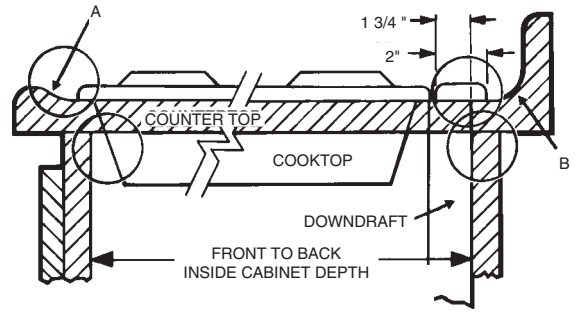
INSTALLATION PLANNING • MODELS DD0130SS, DD0136SS, DD0148SS

DIMENSIONS

NOTE: Dimensions shown are for reference only. Before cutting out countertop, refer to instructions packed with downdraft and cooktop.



DOWNDRAFT

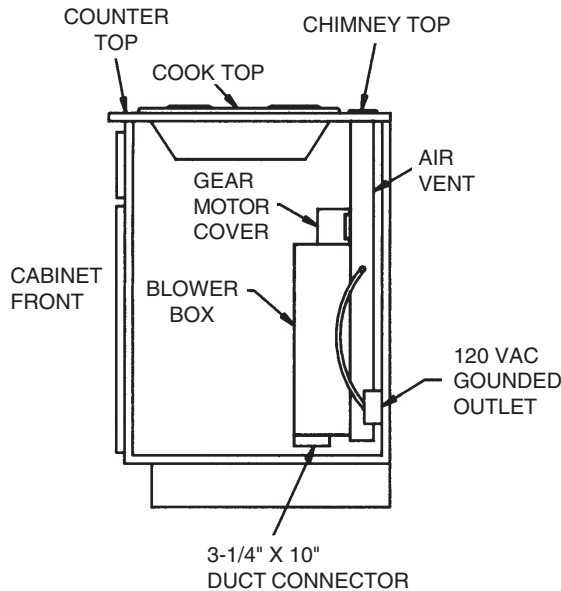


Refer to the cooktop installation instructions for dimensions of cooktop, countertop cut-out, and cabinet requirements. The DD0130SS can be installed in most standard 30" wide cabinets, (DD0136SS can be installed in most standard 36" wide cabinets), (DD0148SS can be installed in most standard 48" wide cabinets).

Cooktop depth can vary greatly from one to another. This may cause the fit of these two appliances to be rather tight.

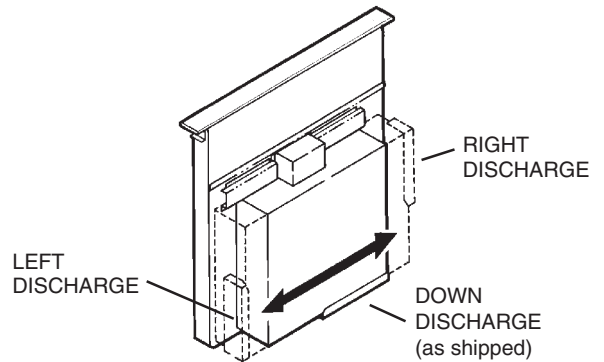
Pay special attention to the 4 areas of potential interference highlighted above. A countertop with (A) a raised lip and/or (B) a backsplash, may not allow enough flat countertop for a proper installation. The back of the downdraft cut-out will be 1 3/4" from the cooktop and 2" of FLAT countertop is needed behind cooktop.

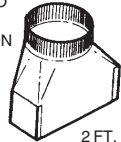
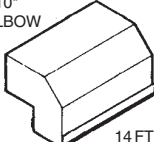
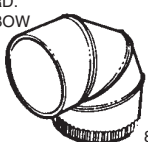
TYPICAL INSTALLATION



DUCTWORK

This downdraft blower system is designed for use with 3 1/4" x 10" rectangular, or 6" round duct. The blower discharge can be positioned in one of 3 directions with 7 1/2" movement side to side.



3 1/4" x 10" TO 6" RD. TRANSITION  2 FT.	3 1/4" X 10" 90° ELBOW  14 FT.	6" RD. ELBOW  8 FT.
--	--	---

ELECTRICAL

The unit has an 18-in. power cord with a 3-pronged plug. Plan to provide a grounded outlet within reach of this cord.

The system will operate most efficiently when the ductwork does not exceed 40 feet of equivalent duct. The chart above, shows equivalent feet of elbows and transitions. The number of feet of straight 3 1/4" x 10" or 6" duct plus the equivalent feet of elbows or transitions to be used should equal 40 feet or less.

The equivalent feet of various roof and wall caps has been taken into consideration. Do not include them in this calculation.