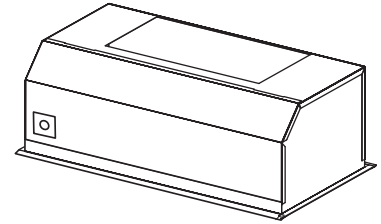


PIK SERIES INSERT



Especially designed to be installed in custom hood for use over residential commercial-style cooking surfaces.

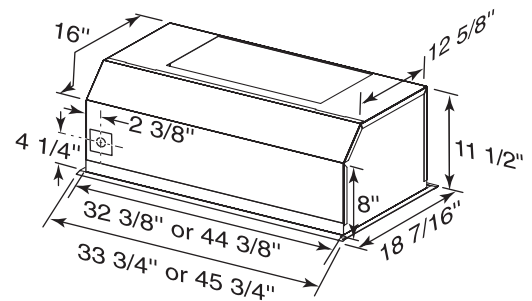
A complete installation requires several optional components. Refer to page 2 when planning your installation.

FEATURES

- Cabinet mount – custom application
- Widths: 33", 45"
- Halogen lighting (33" – 2 x 50 watt; 45" – 3 x 50 watt PAR20) lamps not included
- Slide controls: Lighting, on-off, infinite speed
- Easily accessible, dishwasher-safe stainless steel baffle filters
- Heat Sentry™ turns blower ON to HIGH speed when excess heat is detected

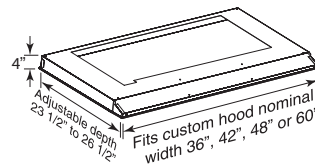
OPTIONS

- Custom hood liners (L33 or L45 Series):
Widths - 36", 42", 48" and 60"
Adjustable depth - from 23.5" to 26.5"
Stainless Steel construction - protects custom hood base and wipes clean easily
- Ambient light panel (ALP Series) for L Series custom hood liners (Halogen lighting: 36" and 42" – 2 x 50 watt; 48" and 60" – 3 x 50 watt GU10) Lamps included
- Backsplash (RMP Series):
Widths - 36", 42", 48", 60"
Stainless Steel construction - protects back wall and wipes clean easily
- WCPI Remote control: With Stainless Steel faceplate, to fit any décor.

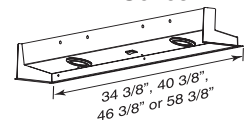


Mount insert so bottom of custom hood is 24" to 30" above cooking surface.

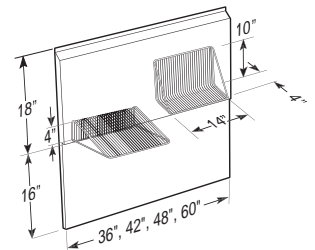
Custom Hood Liner
L33 or L45 Series



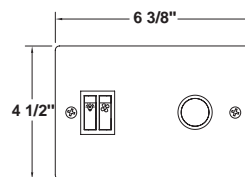
Ambient Light Panel
ALP Series



Backsplash
RMP Series



WCPI Remote Control



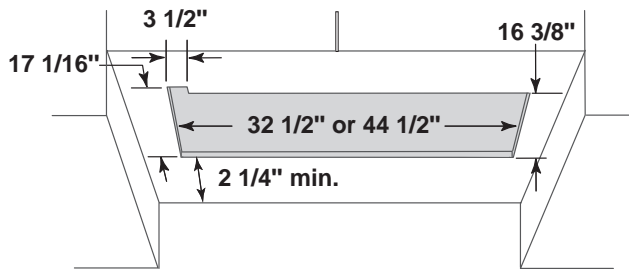
BEST BY BROAN P.O. BOX 140 HARTFORD, WISCONSIN 53027

REFERENCE	QTY.	REMARKS	Project
			Location
			Architect
			Engineer
			Contractor
			Submitted by Date

PIK MOUNTING

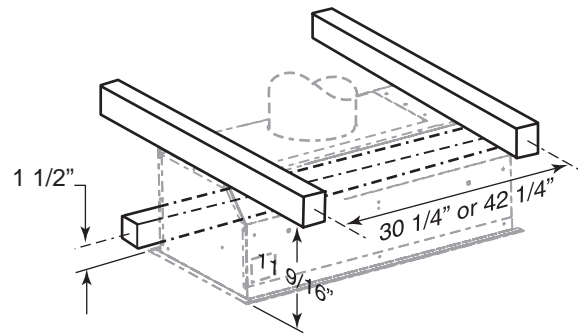
SIZE OF THE CUT-OUT

NOTE: If optional L series liner is used, refer to installation instructions for size and location of the cut-out.



NOTE: The 3 1/2\"/>

Suggested Custom Hood Internal Framework



PIK33 AND PIK45

INSERT SYSTEM

