



3050 Campus Drive, Suite 500 • Hatfield, PA 19440
Customer Service: 1.800.626.5771

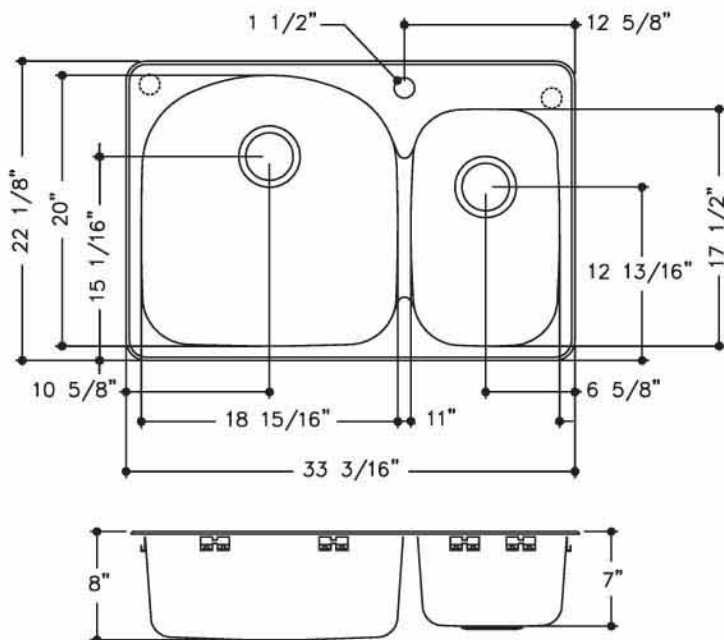
- 18-10 Stainless Steel
- Fully Undercoated
- Factory Applied Rim Seal
- Limited Lifetime Buyer Warranty



Fits 36" Cabinet

IAPMO approved

Model #	Faucet Holes	Finish Deck/Bowl	Bowl Size ↑ × ↔	Sink Depth	Overall Dimension	Gauge	Cutout Dimension
Y2233/80ML/1	1	Mirror/Lustre	L: 20" x 18 15/16"	L: 8"	22 1/8" x 33 3/16"	20	Refer To Template
Y2233/80ML/2	2		R: 17 1/2" x 11"	R: 7"			
Y2233/80ML/3	3						



JOB NAME: _____

DATE: _____

CUSTOMER: _____

MODEL SPECIFIED: _____

QUANTITY: _____

ARCHITECT/ENGINEER: _____

CONTRACTOR: _____