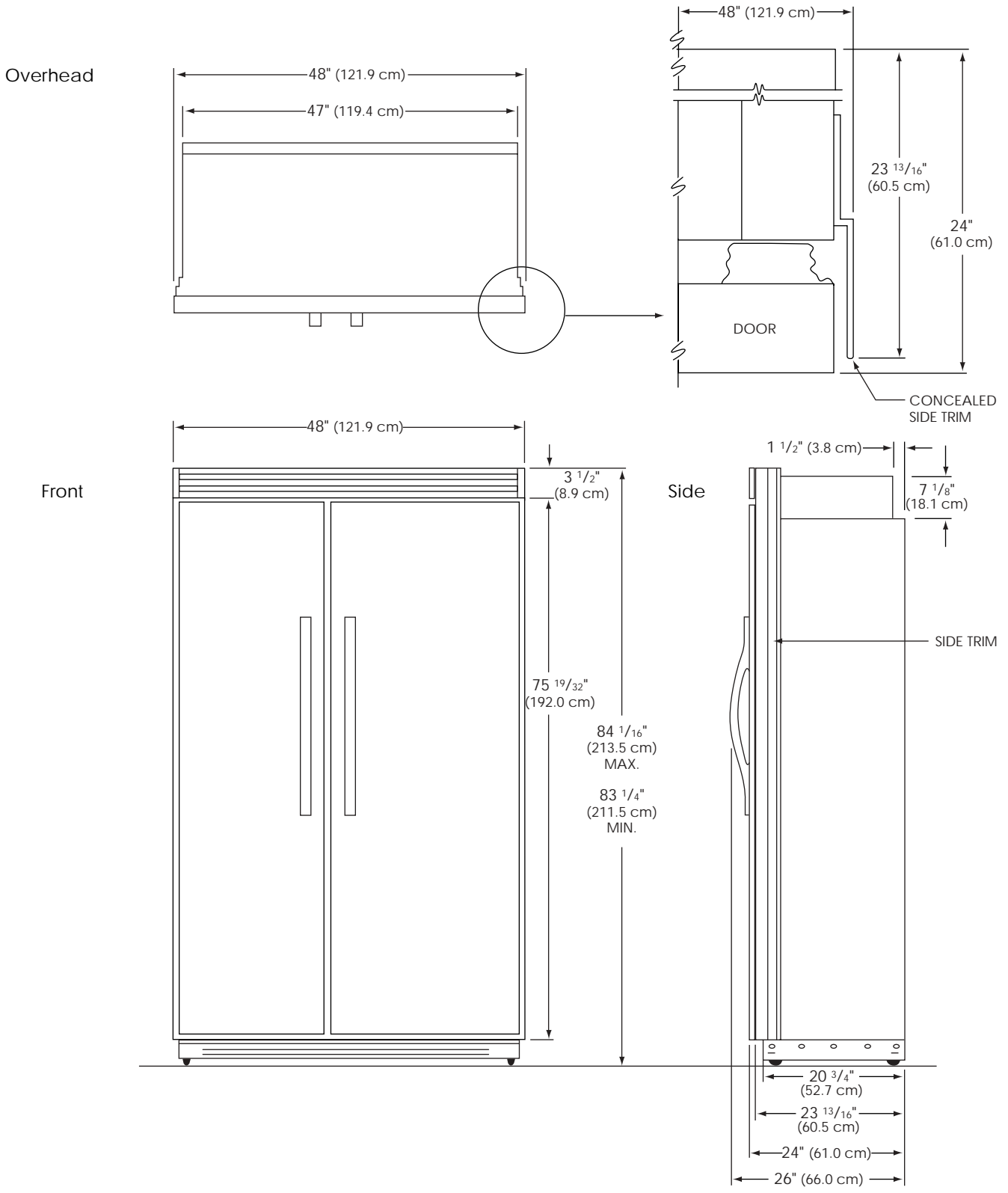
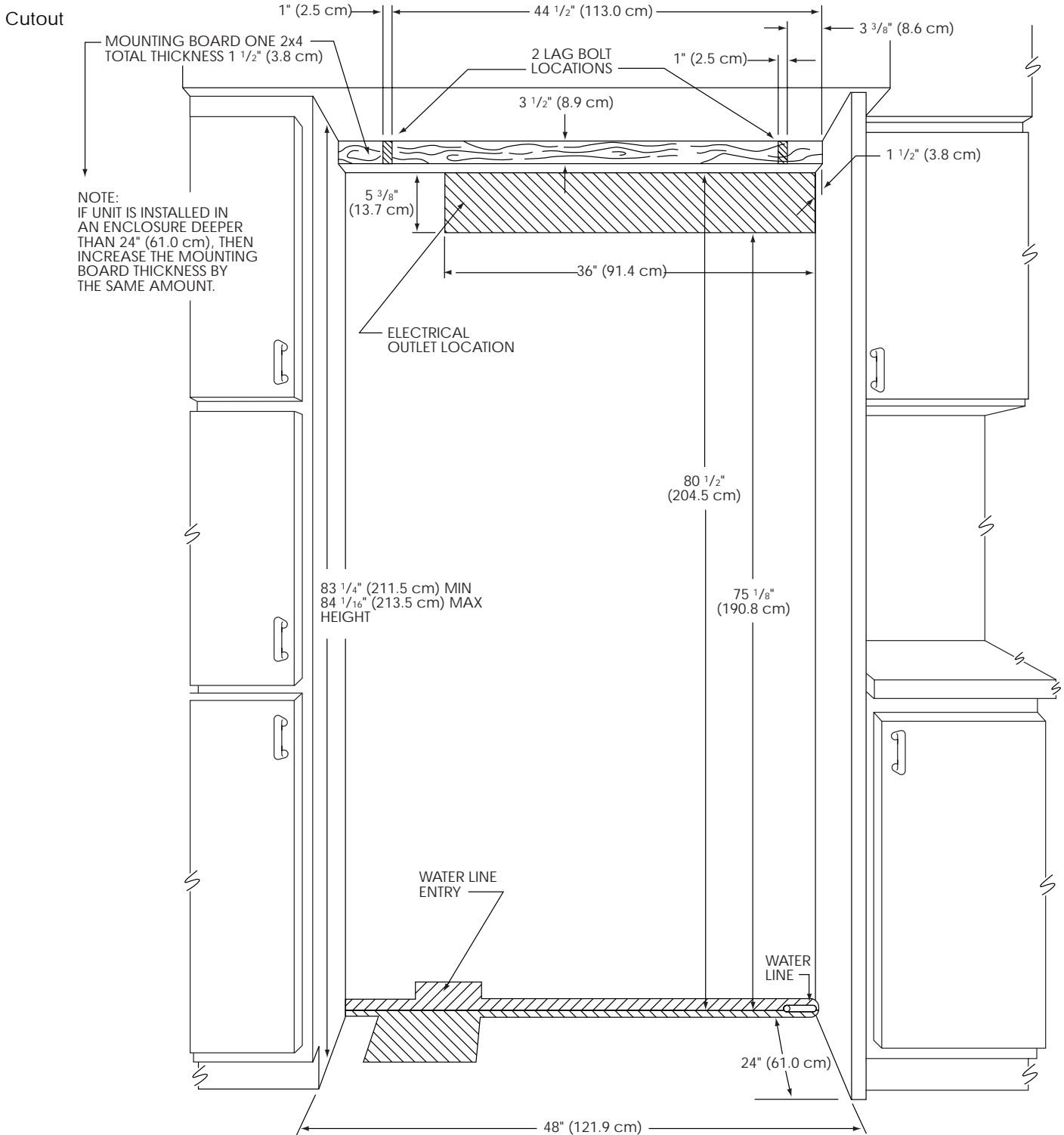


SIDE-BY-SIDE REFRIGERATOR/FREEZER DESIGNER SERIES MODEL – DIMENSIONS 48" WIDTH



SIDE-BY-SIDE REFRIGERATOR/FREEZER DESIGNER SERIES MODEL – DIMENSIONS 48" WIDTH



BASIC SPECIFICATIONS

DESCRIPTION	DDSB483 Designer
Overall Width	48" (121.9 cm)
Overall Height from Bottom	Minimum 83 1/4" (211.5 cm) Maximum 84 1/16" (213.5 cm)
Overall Depth from Rear	23 13/16" (60.5 cm) to front edge of side trim 24" (61.0 cm) to front edge of top grill 26" (66.0 cm) to edge of handle
Cutout Width	48" (121.9 cm)
Cutout Height	Minimum 83 1/4" (211.5 cm) Maximum 84 1/6" (213.5 cm)
Cutout Depth	24" (61.0 cm)
Electrical Requirements	115VAC/60Hz, 15 amp circuit, 3-wire cord with grounded 3-prong plug attached to product
Maximum Amp Usage	9.9 amps
Inlet Water Requirements	1/4" copper tubing – Minimum 20 psi; Maximum 120 psi
Overall Interior Capacity	Refrigerator – 18.5 cu. ft. (.52 cu. meters) Freezer – 8.9 cu. ft. (.25 cu. meters) Total capacity – 27.4 cu. ft. (.77 cu. meters)
Approximate Shipping Weight	575 lb. (258.8 kg)