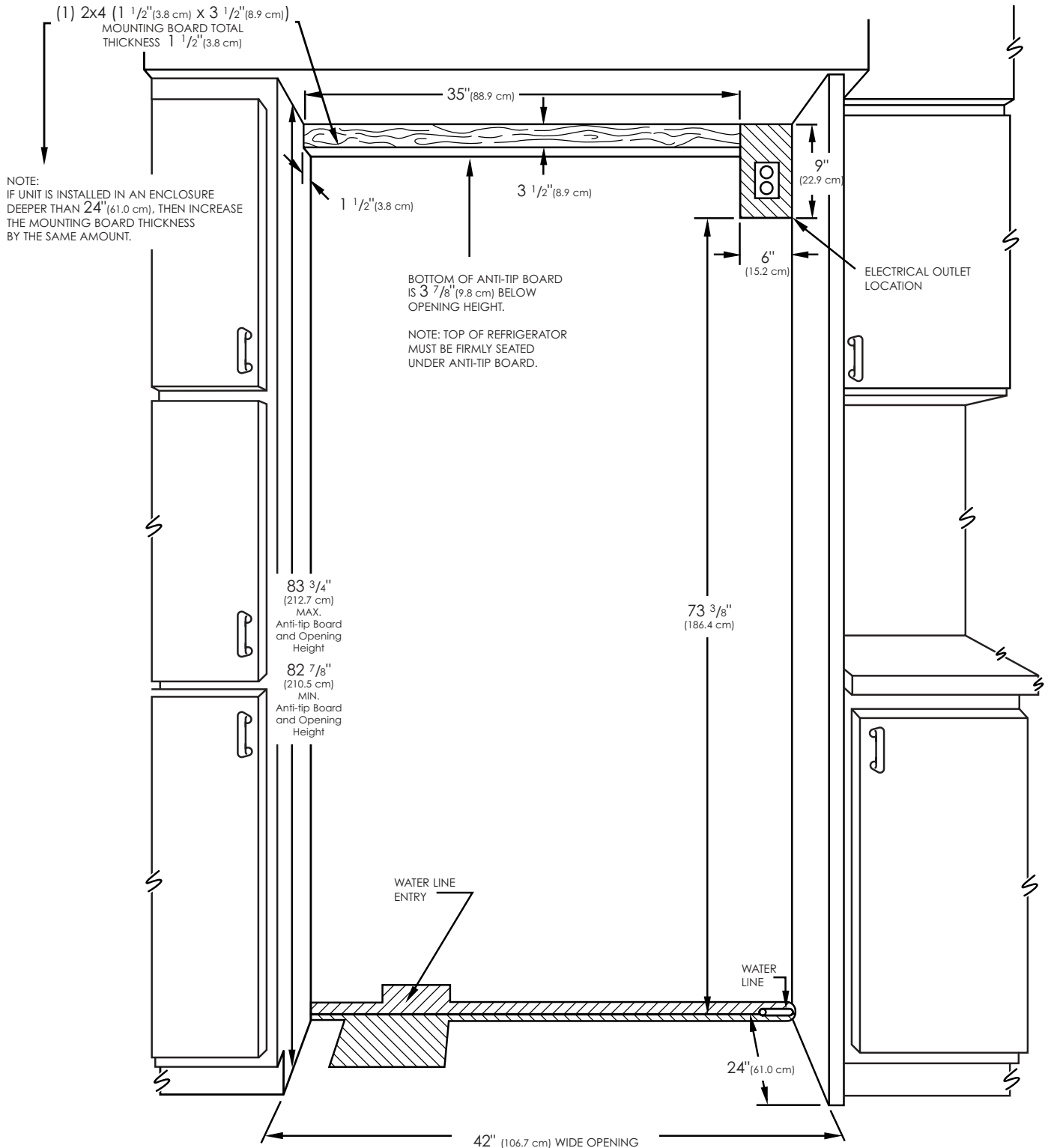


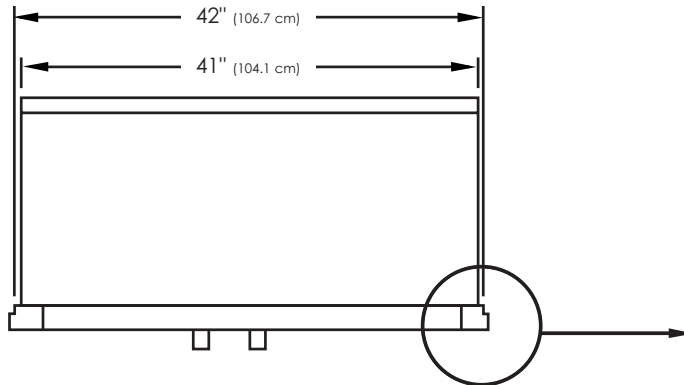
DDSB SIDE-BY-SIDE REFRIGERATOR/FREEZER – DIMENSIONS 42" WIDTH

Cutout

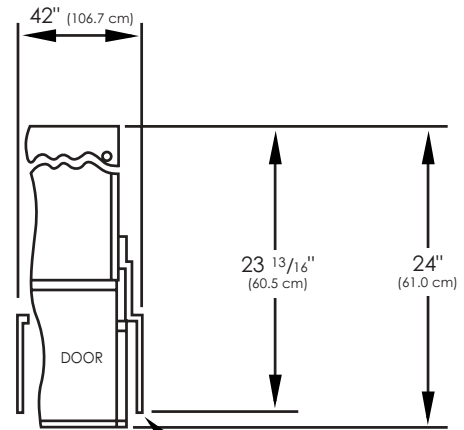


DDSB SIDE-BY-SIDE REFRIGERATOR/FREEZER – DIMENSIONS 42" WIDTH (CONTINUED)

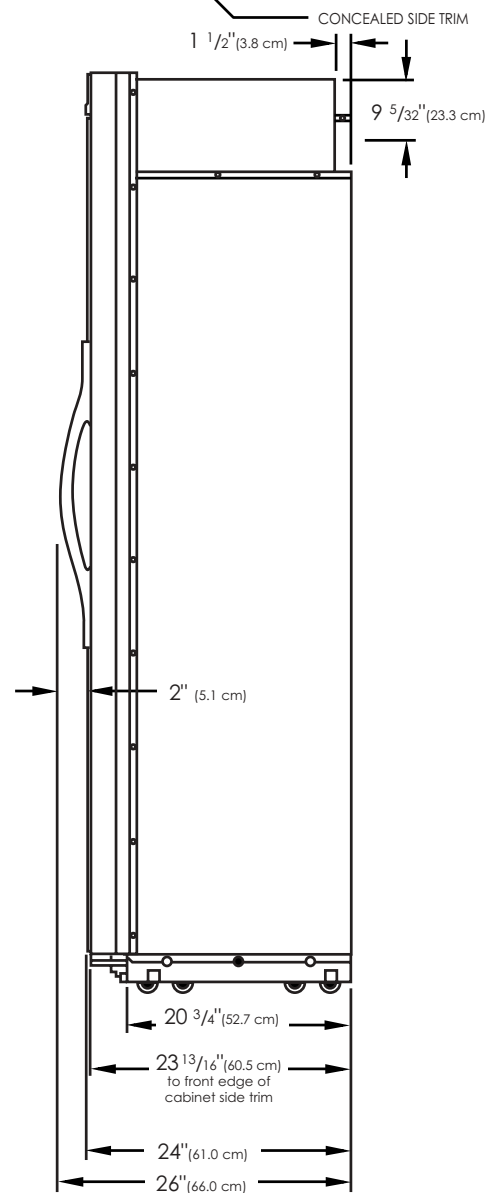
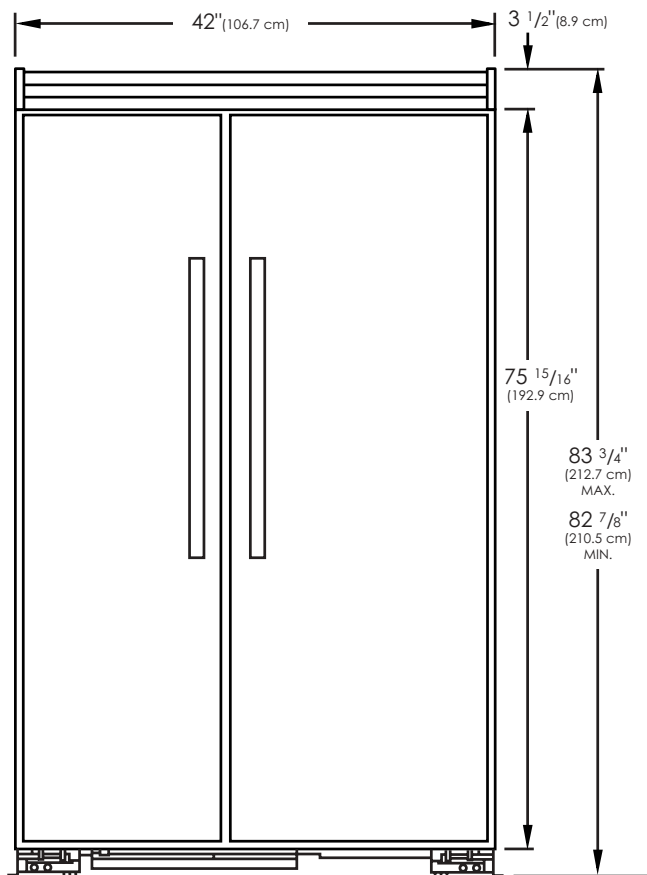
Overhead



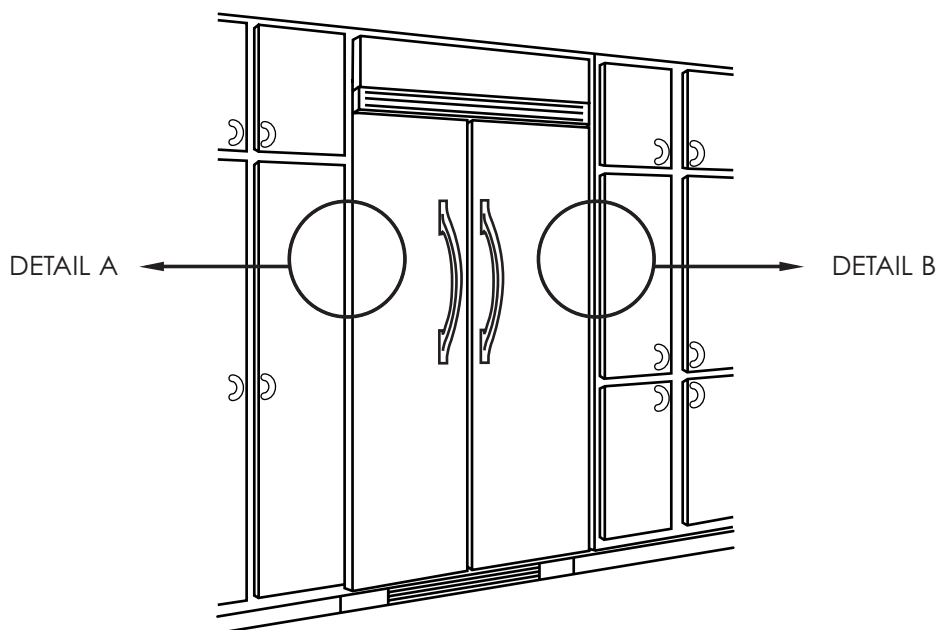
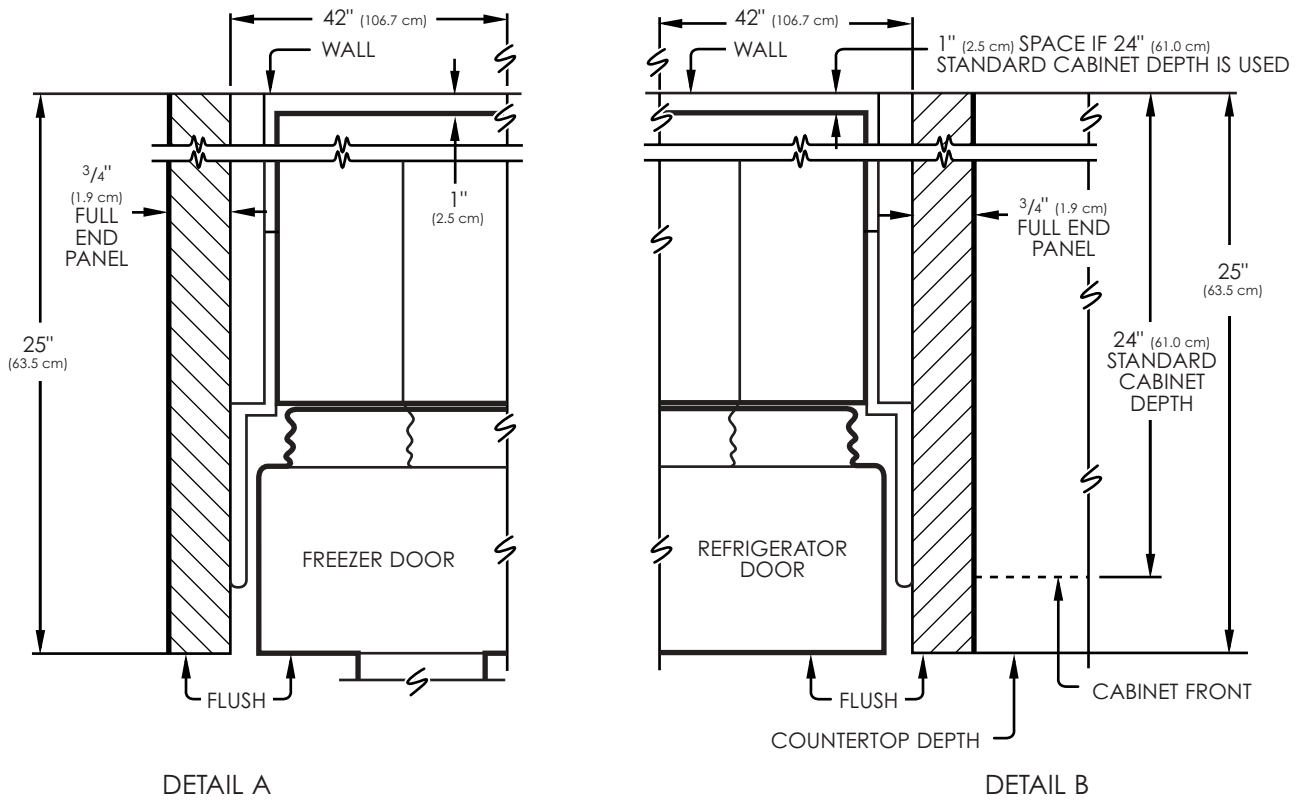
Side



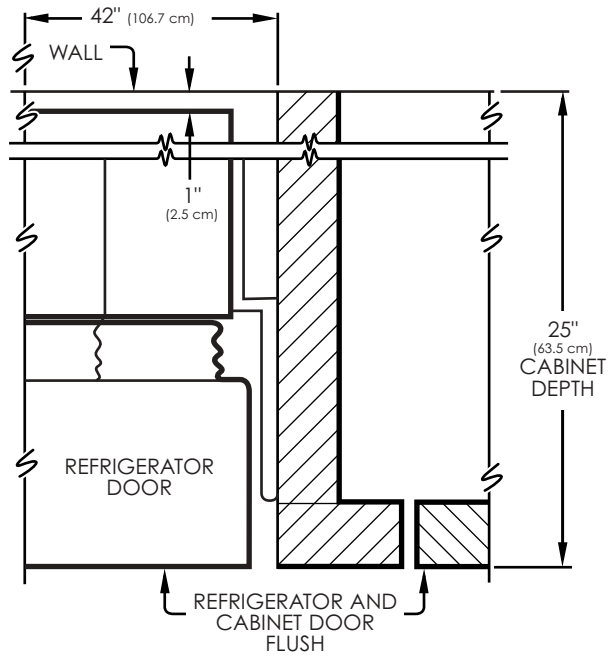
Front



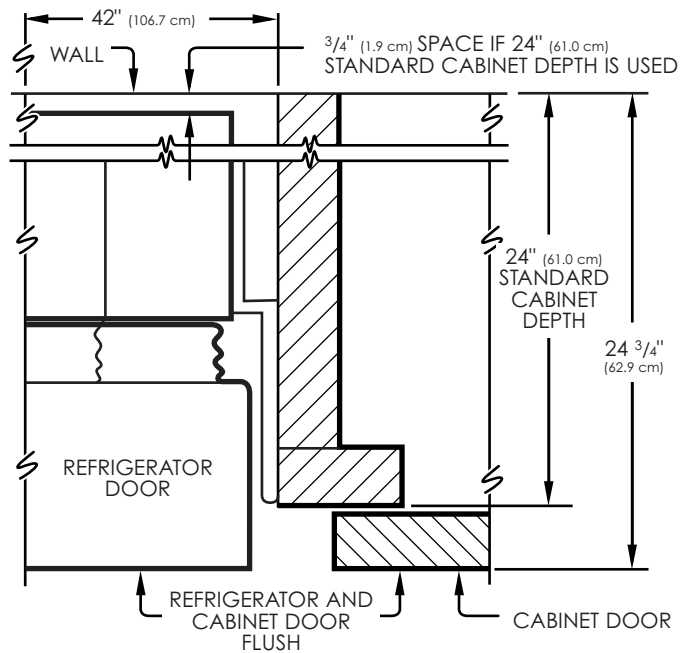
DDSB SIDE-BY-SIDE REFRIGERATOR/FREEZER – DIMENSIONS 42" WIDTH (CONTINUED)



DDSB SIDE-BY-SIDE REFRIGERATOR/FREEZER – DIMENSIONS 42" WIDTH (CONTINUED)



WITH ADJACENT CABINETS;
OVERLAPPING CABINET DOORS

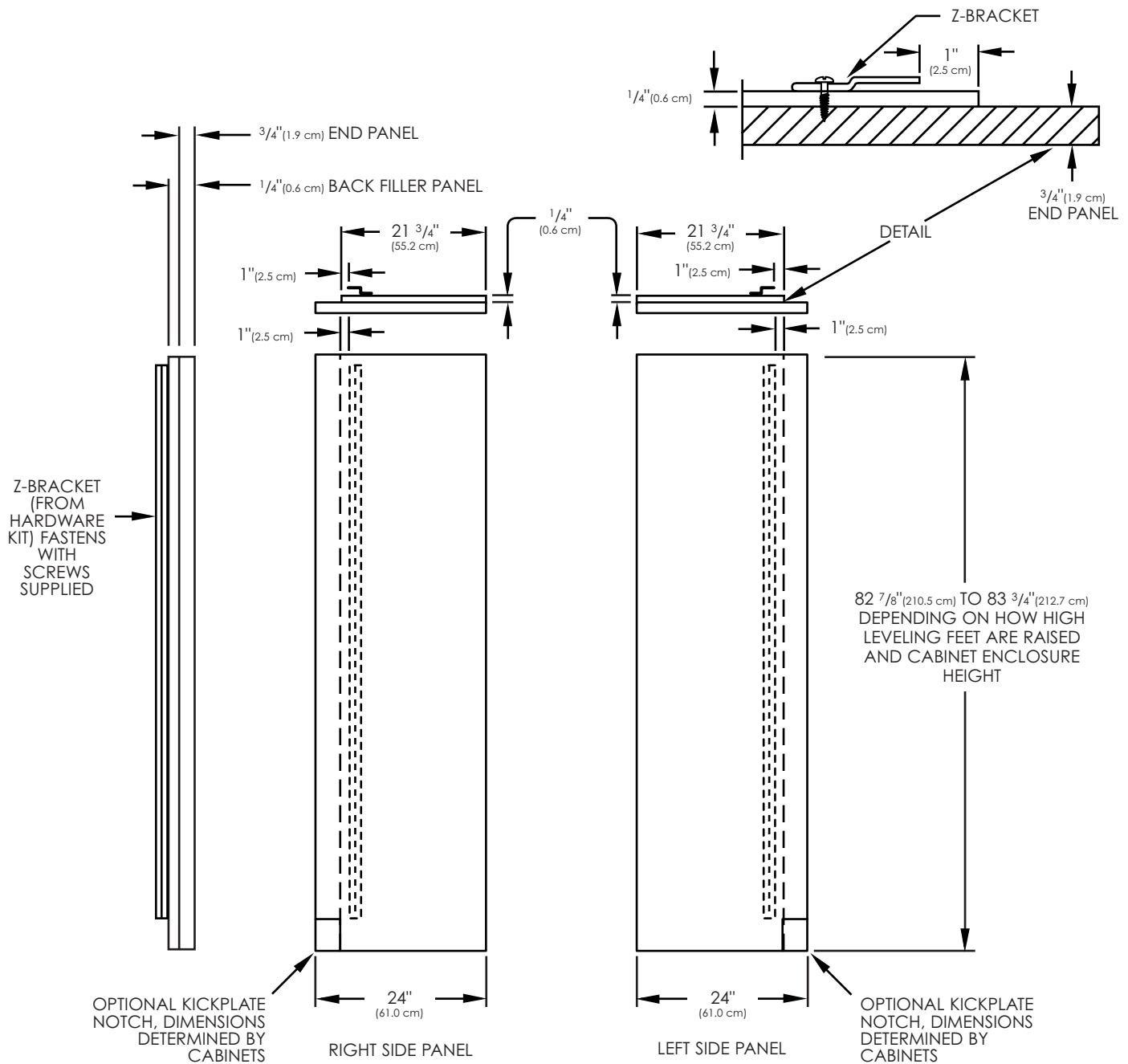


WITH ADJACENT CABINETS;
FLUSH MOUNT CABINET DOORS

DDSB SIDE-BY-SIDE REFRIGERATOR/FREEZER – DIMENSIONS 42" WIDTH (CONTINUED)

Custom side panel

For $\frac{3}{4}$ " (1.9 cm) side panels – add $\frac{3}{4}$ " (1.9 cm) to overall width of product for each side panel used and requires side panel hardware kit (kit model number SPHKDS)



BASIC SPECIFICATIONS

Description	42" WIDE SIDE-BY-SIDE
	DDSB423
Overall Width	42" (106.7 cm)
Overall Height from Bottom	Minimum 82 3/4" (210.2 cm); Maximum 83 3/4" (213.0 cm)
Overall Depth from Rear	To front edge of side trim – 23 13/16" (60.5 cm) To front of top grille – 24" (61.0 cm) To end of handle bracket – 26" (66.0 cm)
Cutout Width	42" (106.7 cm)
Cutout Height	Minimum 82 7/8" (210.5 cm); Maximum 83 3/4" (213.0 cm)
Cutout Depth	24" (61.0 cm)
Electrical Requirements	115VAC/60Hz – 5' (152.4 cm); 3-wire cord with grounded 3-prong plug attached to product
Maximum Amp Usage	9.9 amps
Inlet Water Requirement	1/4" copper tubing – Minimum 20 psi; Maximum 120 psi
Overall Interior Capacity	Refrigerator – 15.0 cu. ft. (424.8 L); Freezer – 9.0 cu. ft. (254.9 L); Total capacity – 24.0 cu. ft. (679.7 L)
Approximate Shipping Weight	525 lb. (236.2 kg)