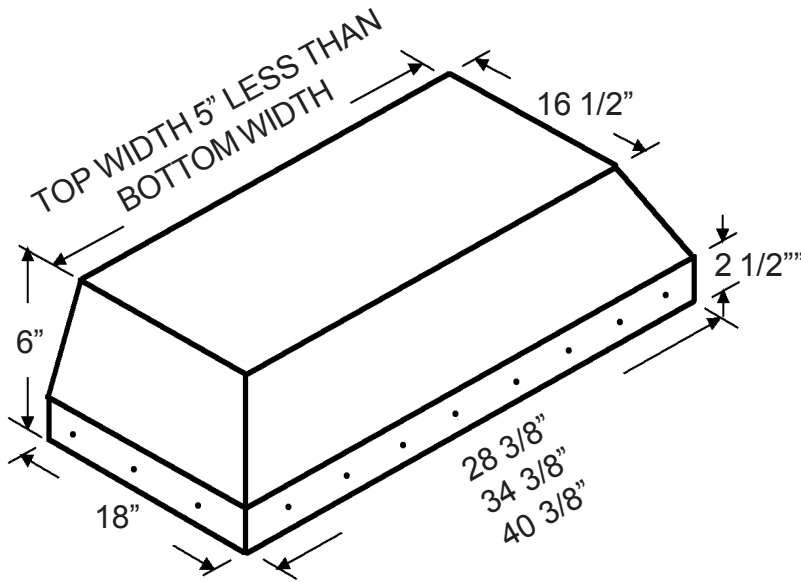
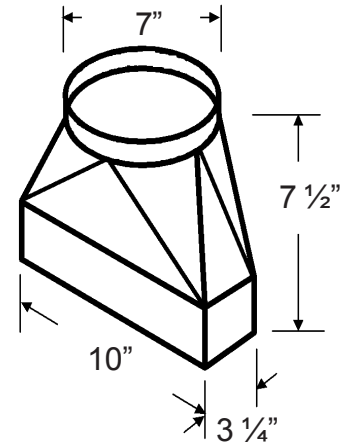


Vent Hood® WALL MOUNT LINER INSERT SPECIFICATIONS

KHSLD LINER Halogen lights only. This model not available with heat lamps. This model only available in Black, Biscuit, Graphite Gray, Stainless Steel, or White.



The VP521 transition is available for top vent applications at an additional charge.

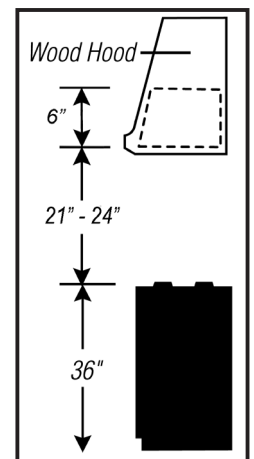
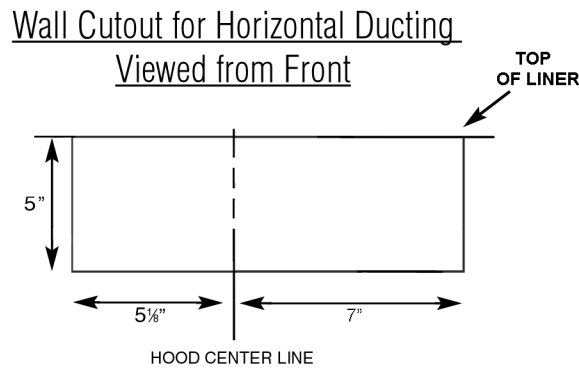
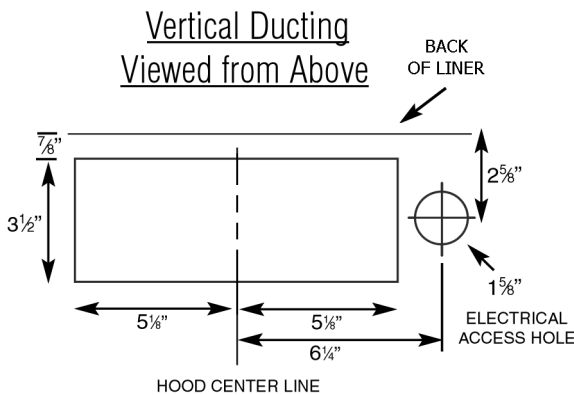


Top Vent or Back Vent
3 1/4" x 10"

KHSLD

Connection Diagrams

Recommended Mounting Height*



*Exceeding recommended mounting height may compromise performance.

Electrical/Mechanical Specifications For K250 Blower

Application	Volts	Amps	Hz	RPM	CFM SP@0.0"	Equivalent CFM	CFM SP@0.1"	CFM SP@0.2"	CFM SP@0.3"
Top Vent High	115	3.2	60	1550	240	360	225	215	200
Top Vent Low	115	3.2	60	1200	170	255	170	160	155
Back Vent High	115	3.2	60	1550	220	330	215	195	180
Back Vent Low	115	3.2	60	1200	175	265	170	160	145

Halogen lights- Equipped with two halogen lights. Equivalent CFM refers to the fact that the K Series blower uses a centrifugal filtration unit, whereas others use conventional filters. Apply this guideline when comparing blower units made by other manufacturers.

SPECIFICATIONS SUBJECT TO CHANGE WITHOUT NOTICE Rev. 09/07

