

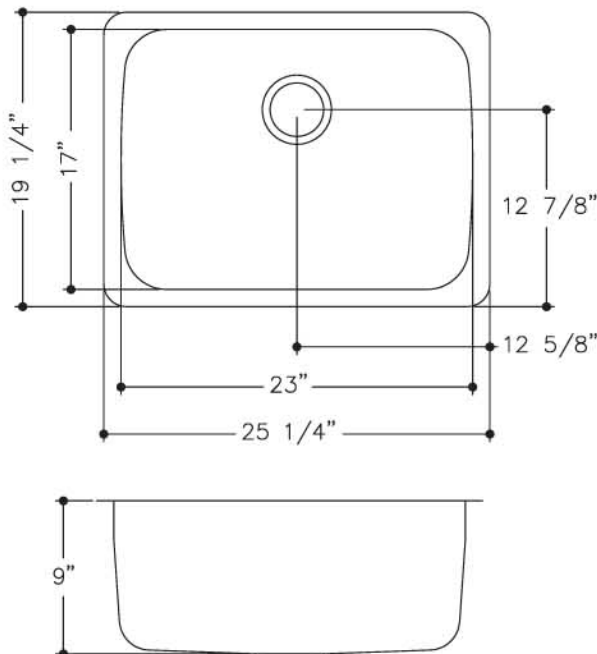
- 18-10 Stainless Steel
- Fully Undercoated
- Limited Lifetime Buyer Warranty



Fits 27" Cabinet

Model #	Faucet Holes	Finish Deck/Bowl	Bowl Size ↕ × ↔	Sink Depth	Overall Dimension	Gauge	Cutout Dimension
US1925/90RK/E	NA	Radiant/Silk	17" x 23"	9"	19 1/4" x 25 1/4"	18	Refer To Template*

\*DXF files are available for use with CNC equipment. Visit our website.



JOB NAME: \_\_\_\_\_

DATE: \_\_\_\_\_

CUSTOMER: \_\_\_\_\_

MODEL SPECIFIED: \_\_\_\_\_

QUANTITY: \_\_\_\_\_

ARCHITECT/ENGINEER: \_\_\_\_\_

CONTRACTOR: \_\_\_\_\_