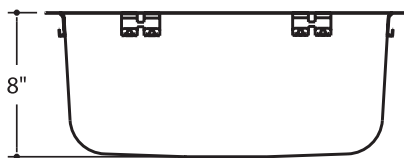
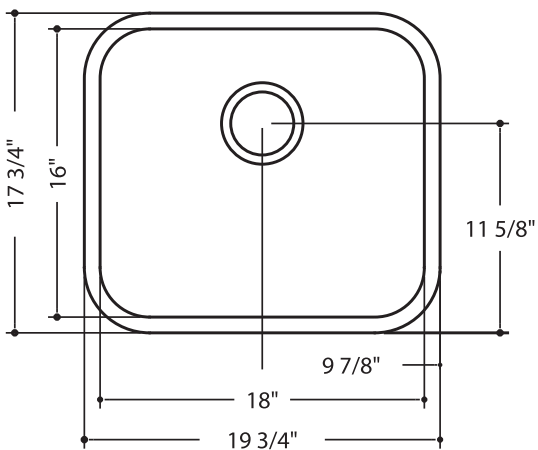




Fits 24" Cabinet

Model #	Faucet Holes	Finish Deck/Bowl	Bowl Size ↕ × ↔	Sink Depth	Overall Dimension	Gauge	Cutout
US1820/80ML	NA	Mirror/Lustre	16" x 18"	8"	17 3/4" x 19 3/4"	20	Requires CNC Equipment*
No. 1135 drain fittings are included.							

\*DXF files are available on our website.



JOB NAME: \_\_\_\_\_

DATE: \_\_\_\_\_

CUSTOMER: \_\_\_\_\_

MODEL SPECIFIED: \_\_\_\_\_

QUANTITY: \_\_\_\_\_

ARCHITECT/ENGINEER: \_\_\_\_\_

CONTRACTOR: \_\_\_\_\_