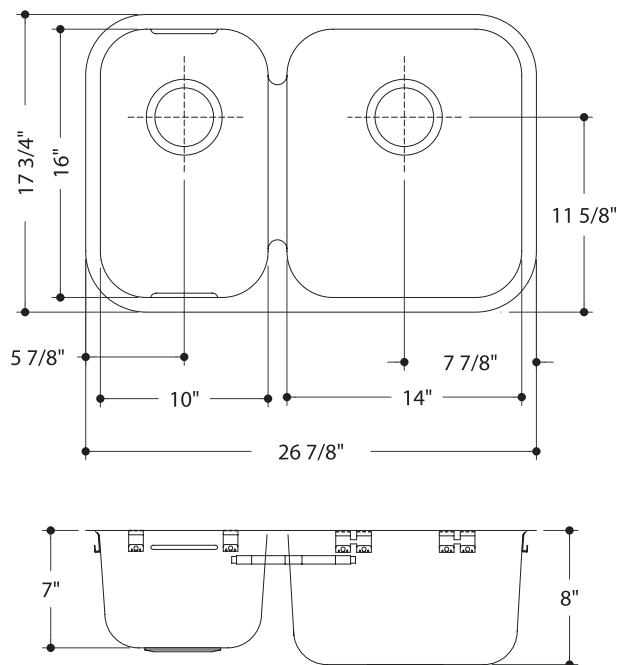




Fits 30" Cabinet

Model #	Faucet Holes	Finish Deck/Bowl	Bowl Size ↕ × ↔	Sink Depth	Overall Dimension	Gauge	Cutout
UCL1827/80ML No. 1135 drain fittings are included.	NA	Mirror/Lustre	L: 16" x 10" R: 16" x 14"	L: 7" R: 8"	17 3/4" x 26 7/8"	20	Requires CNC Equipment*

*DXF files are available on our website.



JOB NAME: _____

DATE: _____

CUSTOMER: _____

MODEL SPECIFIED: _____

QUANTITY: _____

ARCHITECT/ENGINEER: _____

CONTRACTOR: _____