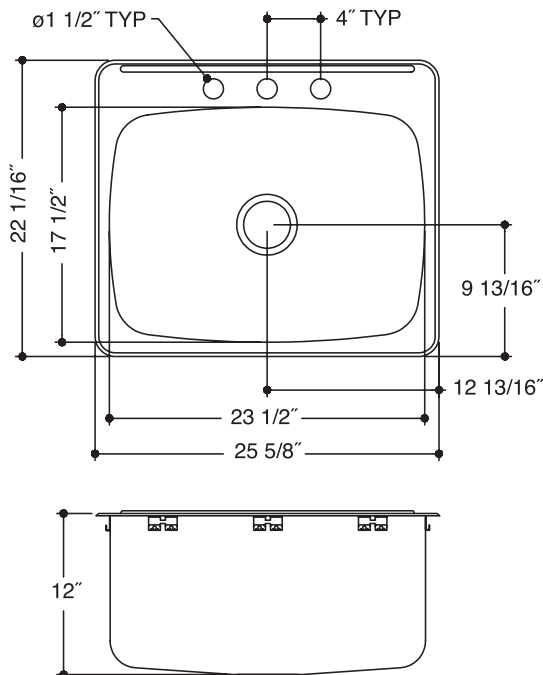


- **18-10 Stainless Steel**
- **Fully Undercoated**
- **Factory Applied Rim Seal**
- **Rear Overflow Assembly**  
Not suitable for use with single post faucet
- **Limited Lifetime Buyer Warranty**



Fits 27" Cabinet

Model #	Faucet Holes	Finish Deck/Bowl	Bowl Size ↕ X ↔	Sink Depth	Overall Dimension	Gauge	Cutout Dimension
S2225/12ML/1	1	Mirror/Lustre	17 1/2" x 23 1/2"	12"	22 1/16" x 25 5/8"	20	Refer To Template
S2225/12ML/3	3						
S2225/12ML/4	4						



JOB NAME: \_\_\_\_\_

DATE: \_\_\_\_\_

CUSTOMER: \_\_\_\_\_

MODEL SPECIFIED: \_\_\_\_\_

QUANTITY: \_\_\_\_\_

ARCHITECT/ENGINEER: \_\_\_\_\_

CONTRACTOR: \_\_\_\_\_