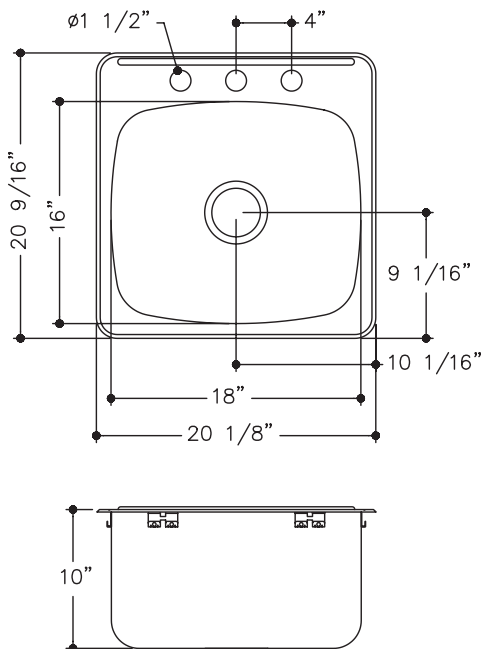


- 18-8 Stainless Steel
- Fully Undercoated
- Factory Applied Rim Seal
- Limited Lifetime Buyer Warranty



Fits 24" Cabinet

Model #	Faucet Holes	Finish Deck/Bowl	Bowl Size ↕ X ↔	Sink Depth	Overall Dimension	Gauge	Cutout Dimension
S2020/10ML/1	1	Mirror/Lustre	16" x 18"	10"	20 9/16" x 20 1/8"	20	Refer To Template
S2020/10ML/3	3						
S2020/10ML/4	4						



JOB NAME: _____

DATE: _____

CUSTOMER: _____

MODEL SPECIFIED: _____

QUANTITY: _____

ARCHITECT/ENGINEER: _____

CONTRACTOR: _____