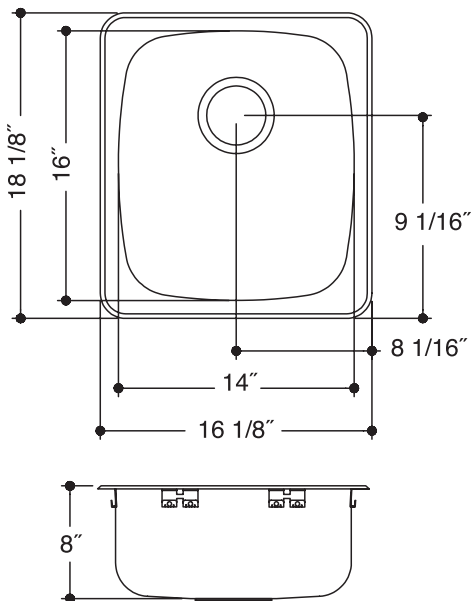


- 18-8 Stainless Steel
- Fully Undercoated
- Factory Applied Rim Seal
- Limited Lifetime Buyer Warranty



Fits 18" Cabinet

Model #	Faucet Holes	Finish Deck/Bowl	Bowl Size ↕ X ↔	Sink Depth	Overall Dimension	Gauge	Cutout Dimension
S1816/80ML	NA	Mirror/Lustre	16" x 14"	8"	18 1/8" x 16 1/8"	20	Refer To Template



JOB NAME: \_\_\_\_\_

DATE: \_\_\_\_\_

CUSTOMER: \_\_\_\_\_

MODEL SPECIFIED: \_\_\_\_\_

QUANTITY: \_\_\_\_\_

ARCHITECT/ENGINEER: \_\_\_\_\_

CONTRACTOR: \_\_\_\_\_