

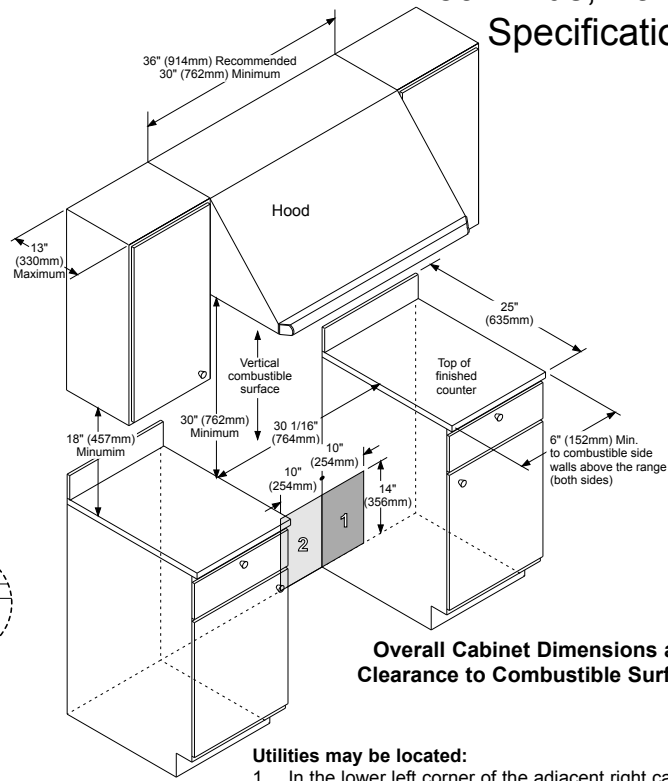
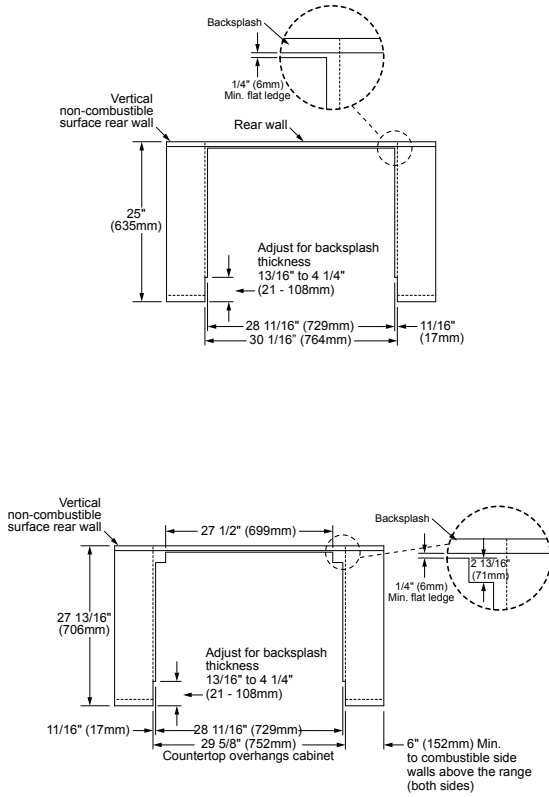


The life of the kitchen™

Preference™ and M-I-L-L-E-N-N-I-A™

30" Wide, Range Specifications

RSE30, RSD30, MRE30

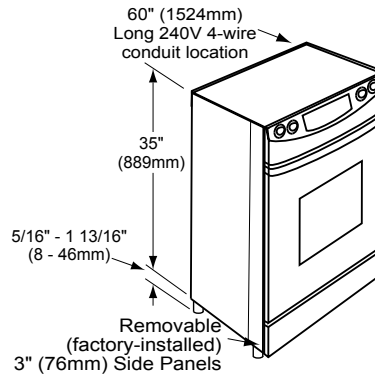
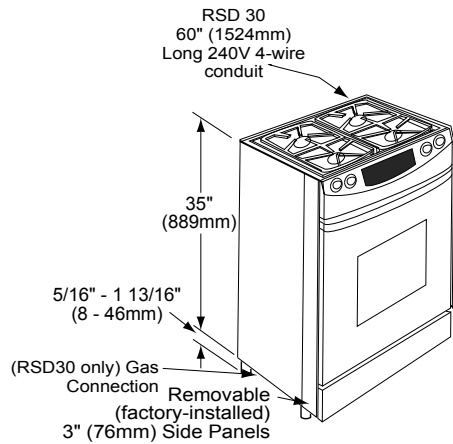


Overall Cabinet Dimensions and Clearance to Combustible Surfaces

Utilities may be located:

1. In the lower left corner of the adjacent right cabinet. (Recommended)
2. Alternate location, in the lower right corner behind the range. (Note: Some building departments do not permit concealing gas valves behind appliances.)

Contact your local building department to verify compliance with local code interpretation.



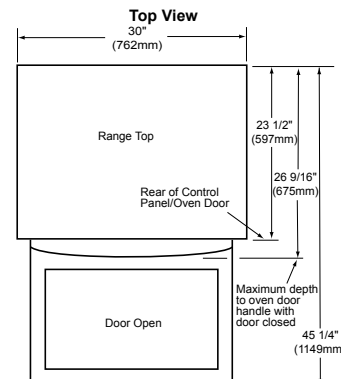
Note: RSE30 - MRE30 - RSD30 Ranges can be installed with downdraft ventilation. See ERV Planning Guide for additional information.

Specifications

DACOR Model number	Dedicated electrical circuit required	Total connected load	Gas type
RSD30	240VAC, 4-wire, 60Hz, 30A	5.8kW (24A)	Natural
RSD30LP	240VAC, 4-wire, 60Hz, 30A	5.8kW (24A)	Liquid Propane
RSE30	240VAC, 4-wire, 60Hz, 50A	11.1kW (46A)	N/A
MRE30	240VAC, 4-wire, 60Hz, 50A	11.1kW (46A)	N/A

Shipping Weight: 280 pounds

Specifications are subject to change without notice. See installation instructions for additional details.



Dacor®

www.dacor.com

Corporate Phone: 800-793-0093

Planning Faxback: 800-793-0093 ext. 3806

P L A N N I N G G U I D E