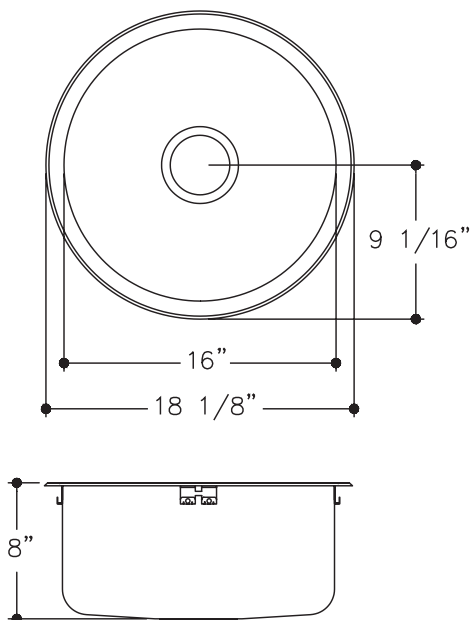


- **18-8 Stainless Steel**
- **Fully Undercoated**
- **Factory Applied Rim Seal**
- **Limited Lifetime Buyer Warranty**



Fits 21" Cabinet

Model #	Faucet Holes	Finish Deck/Bowl	Bowl Size	Sink Depth	Overall Dimension	Gauge	Cutout Dimension
R18/80L	NA	Mirror/Lustre	16" Diameter	8"	18 1/8" Diameter	20	17 1/8" Diameter



JOB NAME: \_\_\_\_\_

DATE: \_\_\_\_\_

CUSTOMER: \_\_\_\_\_

MODEL SPECIFIED: \_\_\_\_\_

QUANTITY: \_\_\_\_\_

ARCHITECT/ENGINEER: \_\_\_\_\_

CONTRACTOR: \_\_\_\_\_