



Pull-Out Spray Faucet Specifications

Kindred pull-out spray faucets are machined from solid brass castings and have ceramic disc technology. Pull-out spray faucets are rated at 2.2 USGPM, or 8.3 liters/minute, and are equipped with both backflow prevention and vacuum breaker.

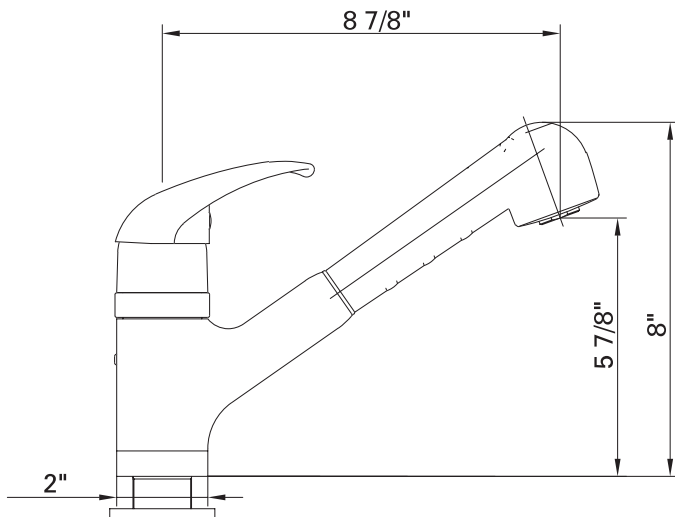
Retractable spray head will extend to 24".
Dual spray mode: spray or stream.

Faucet requires a minimum 1 3/8" diameter mounting hole and a counter thickness less than 1 1/2". Supply tubes are 3/8" diameter with a 1/2" NPT fitting at the inlet. Kindred offers a lifetime mechanical warranty on Kindred Faucets, a lifetime warranty on chrome finish, and a 2 year warranty on decorative finishes.

Complies with ASME A112.18.2-2002



Model #	Finish	Description
POSF100	Chrome	Pull-Out Spray
POSF150	Satin Nickel	Pull-Out Spray



JOB NAME: _____

DATE: _____

CUSTOMER: _____

MODEL SPECIFIED: _____

QUANTITY: _____

ARCHITECT/ENGINEER: _____

CONTRACTOR: _____