

This Data Sheet Includes Information On

**Marvel**

• **Product Model Number (s):** •

Clear Ice Maker:  
30IM-BB, 30IM-WW and 30IM-BS

• **Dimensions (Actual Size)** •

- Overall depth including handle: 24"
- Depth not including door: 21 5/8"
- Height at full leg adjustment: 35"
- Height at 0" leg adjustment: 34 1/4"
- Height without legs installed: 34"
- Width: 14 7/8"
- AB models: Toe Kick height: 3"
- C models: Toe Kick height: 3 3/4"
- C models: From floor to top of grille: 8"
- Recommended opening width: 15"

• **Additional Information** •

!!!! **IMPORTANT:** Marvel changed the specifications on this model number on 6/17/01.

!!!! All "AB" dimensions are for serial numbers 061701xxx and EARLIER.

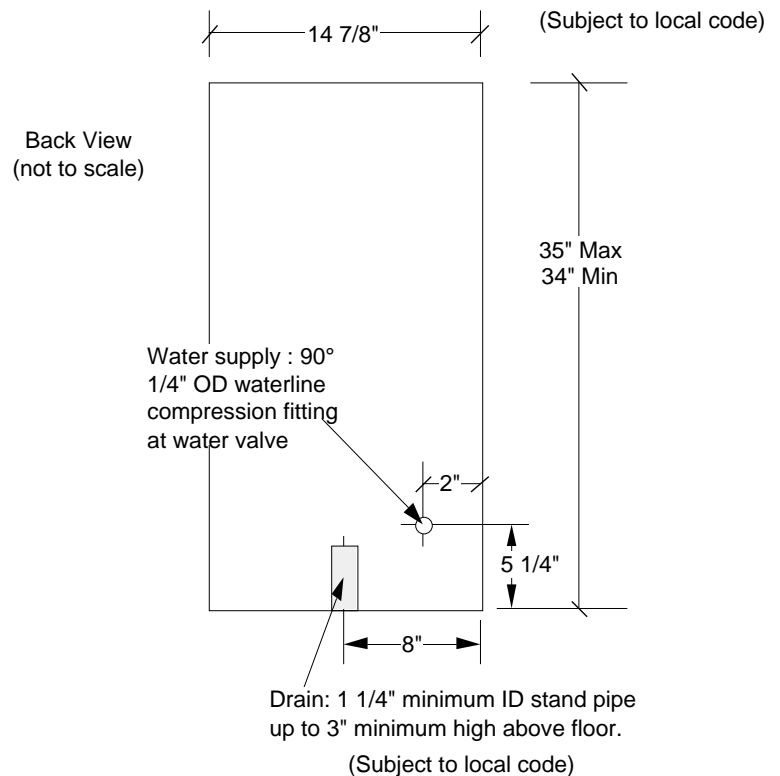
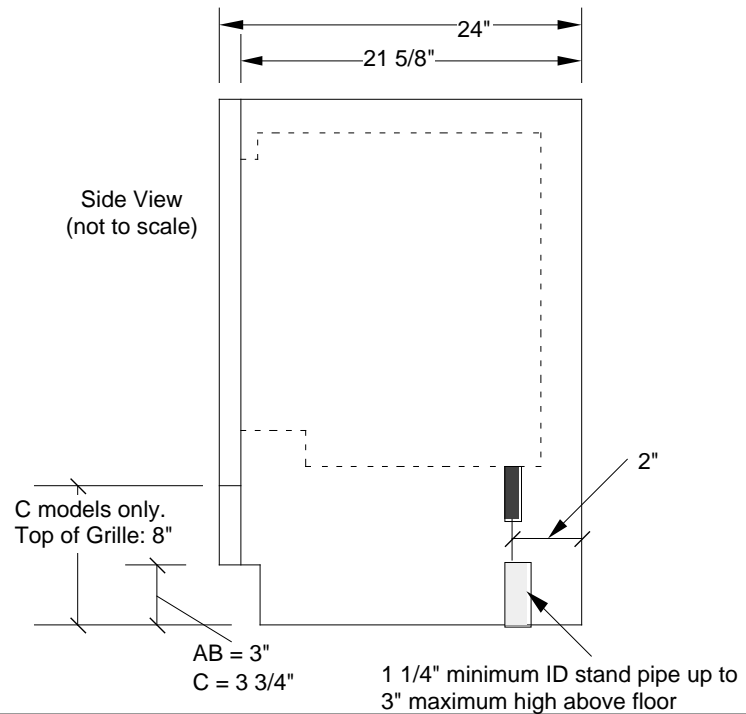
!!!! All "C" dimensions are for serial numbers 061801xxx and LATER

- Electrical requirements: 120 volts, 3.3 amps running max. 15 amp circuit required.
  - Locate a 3-prong grounded receptacle in one of three locations: 1) On the wall in the adjacent cabinet opening. 2) Flush on the back wall of the refrigerator opening (add 1" to the overall depth of the unit to accommodate the thickness of the plug). 3) Recessed 1" into the back wall of the refrigerator opening.
  - RPE door accepts custom 1/4" door panel (see page 2 for dimensions).
  - Door is reversible in field.
  - Shipping weight: 100 pounds.
  - U.L. Listed.
  - Special order options: Stainless steel door insert.
  - You need to have the following materials for proper installation: 1/4" OD copper tubing, shutoff valve and 5/8" ID rubber drain tube.
  - Water supply : 1/4" OD copper tube (subject to local codes).
  - Drain : 5/8" ID rubber tube (subject to local codes)
- Unit must drain into a 1 1/4" minimum stand pipe.
- 30IM-BB : Black. 30IM-WW : White. 30IM-BS : Black with stainless door panel.

Subject to change without notice. This system is designed to be updated daily if necessary. Dimension Express is not responsible for use of superseded, voided, or outdated data sheets. Because of the difficulty or impracticability of determining actual damages, liability of Dimension Express shall not exceed \$50.00.

Copyright © Dimension Express, 2001.

318



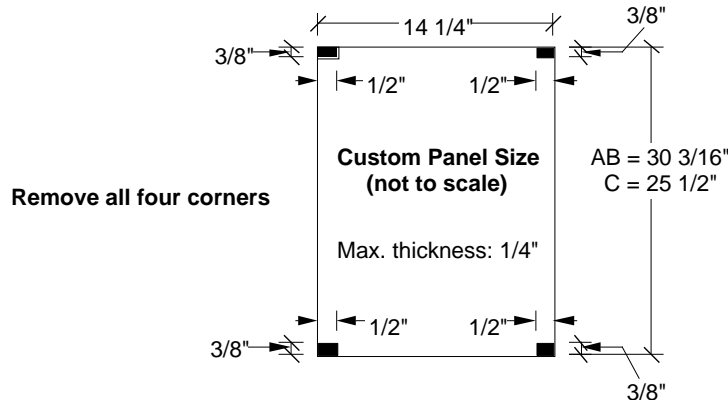
• NEVER reuse Data Sheets. Data Sheets are subject to change without notice. Dimension Express is a FREE service bureau and is updated daily, it makes far more sense to spend the time necessary to request new Data Sheets for each project, as opposed to the problems, time, costs, and risks associated with reusing old Data Sheets.

- Call Dimension Express if you have any questions at (775) 833-3633 •
- Always refer to a current Code at a Glance or manufacturer directory •
- Data Sheet codes change on the first of odd numbered months at 12:01am •

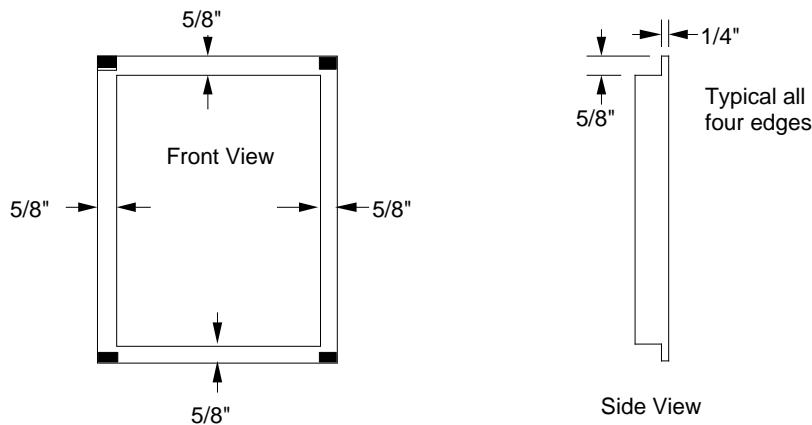
BN • A318B326 • 020102 • 121326 • 87194

Additional Information:

## Custom Door Panel Dimensions (not to scale)



### 1/4" Thick Panels



- 1) Cut the panel to the size and remove all four corners as listed above.
- 2) Rout all four edges as listed above if owner supplied cabinet door pull is used; 2" if Marvel's extrusion mounted handle is used.

## Panels Greater Than 1/4" Thick

Subject to change without notice. This system is designed to be updated daily if necessary. Dimension Express is not responsible for use of superseded, voided, or outdated data sheets. Because of the difficulty or impracticability of determining actual damages, liability of Dimension Express shall not exceed \$50.00. Copyright © Dimension Express, 2001.

326

• NEVER reuse Data Sheets. Data Sheets are subject to change without notice. Dimension Express is a FREE service bureau and is updated daily, it makes far more sense to spend the time necessary to request new Data Sheets for each project, as opposed to the problems, time, costs, and risks associated with reusing old Data Sheets.

- Call Dimension Express if you have any questions at (775) 833-3633 •
- Always refer to a current Code at a Glance or manufacturer directory •
- Data Sheet codes change on the first of odd numbered months at 12:01am •

BN • A318B326 • 020102 • 121326 • 87194