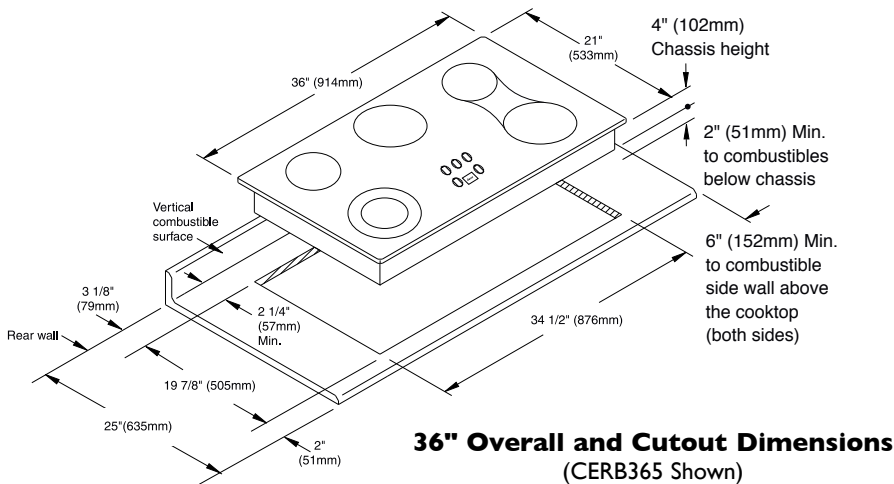
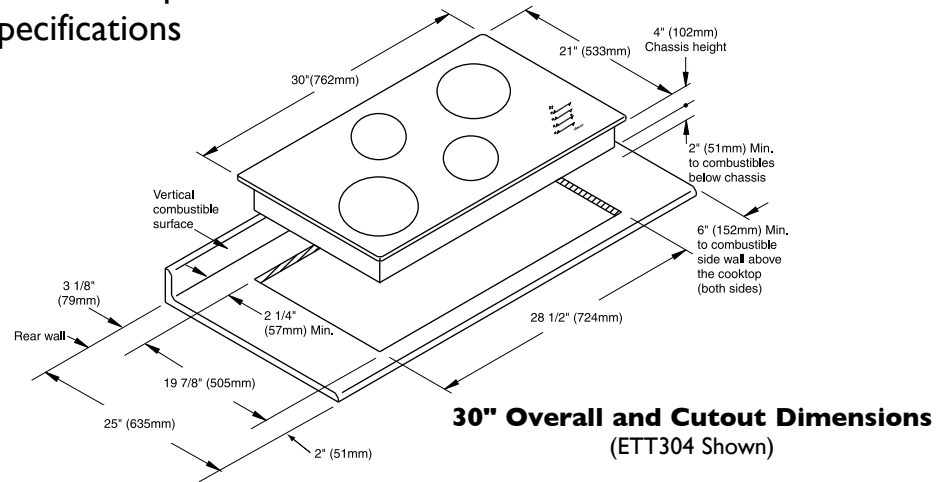


# PLANNING GUIDE

## Glass Ceramic Electric Cooktop Specifications



**CER304, ETT304, CERB365, ETT365, MET304, METB365**

SPECIFICATIONS	MEASUREMENTS
<b>Electrical Supply Requirements</b>	<p><b>CER304</b> - 208VAC/240VAC, 60Hz, 30A Dedicated Circuit</p> <p><b>CERB365</b> - 208VAC/240VAC, 60Hz, 50A Dedicated Circuit</p> <p><b>ETT365, ETT365S</b> - 240VAC, 60Hz, 40A Dedicated Circuit</p> <p><b>MET304</b> - 240VAC, 60Hz, 40A Dedicated Circuit</p> <p><b>METB365</b> - 240VAC, 60Hz, 50A Dedicated Circuit</p> <p>Cooktop is supplied with a 48" (1219mm) flexible conduit.</p>
<b>Total Connected Load</b>	<p><b>CER304, MET304</b> - 240VAC 6.9kW (29A)</p> <p><b>CERB365, METB365</b> - 240VAC 9.6 kW (40A)</p> <p><b>ETT365, ETT365S</b> - 240VAC 8.9kW (37A)</p>
<b>Approximate Shipping Weight</b>	<p><b>30" Wide</b> - 46 pounds</p> <p><b>36" Wide</b> - 51 pounds</p>
<b>Special Note:</b>	<p>These cooktops are not approved for recessed installation. All power conduits are located in the back right corner as you face the front of the cooktop.</p>



The life of the kitchen™

www.dacor.com

Corporate Phone: 800-793-0093

Planning Faxback: 800-793-0093 ext. 3806

Specifications are subject to change without notice. See installation instructions for additional details.