



**NEW  
FOR  
2006**

**Diva de Provence  
885 Don Mills Road, Suite 207  
Toronto, Ontario  
M3C 1V9  
C a n a d a  
Tel: (416) 256-2646  
Fax: (416) 256-7121**

## Quick Installation Guide - DDP3

To install the unit, create a cut-out in your countertop following the dimensions given on the drawing and the table below.

**This cooktop must be installed in accordance with pertaining local building, trade, fire protection and electrical codes. If local codes do not exist, then installation must be done in accordance with federal codes.**

The cooktop is to be connected - hard-wired - to the electrical power supply inside a client-supplied junction box which should be installed inside the cabinet below the unit.

**The unit must be properly grounded.**

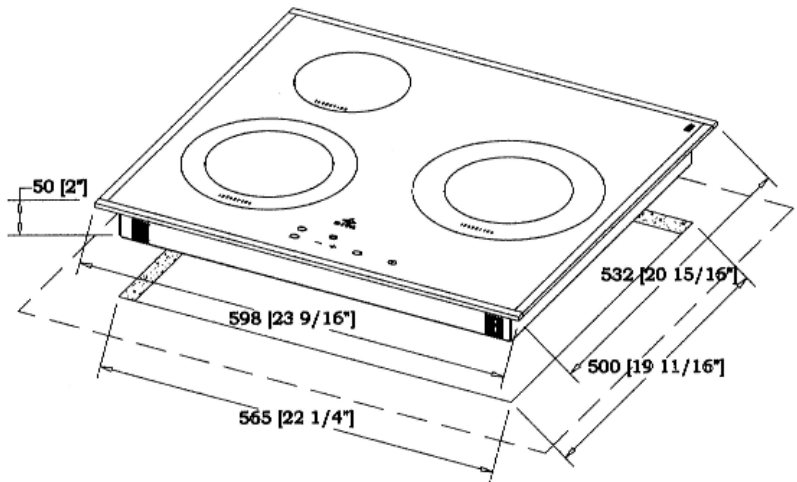
This cooktop is to be installed under a ventilation hood or a downdraft ventilation system.

### DDP-3 electrical characteristics are:

**Operating voltage ... 220 V~ 60 Hz**

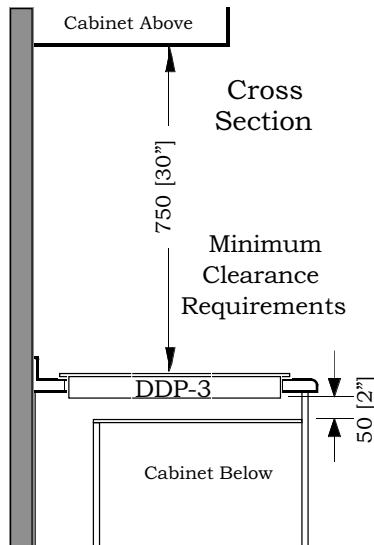
**Total power ... 7600 W**

**Connect to ... 220 V, 60 Hz, 2 Pole+G,  
40 A supply  
(3 wire #8 AWG)**



Cooktop and Cut-out Sizes	Width	Depth	Thickness
Cut-out Size	565 mm [22 1/4"]	500 mm [19 11/16"]	100 mm* [4"]*
Cooktop Box Size	558 mm [22"]	492 mm [19 3/8"]	50 mm [2"]
Cooktop Rim Size	598 mm [23 9/16"]	532 mm [20 15/16"]	6 mm [1/4"]

\*This dimension includes clearance underneath the unit of 50 mm [2"]



### Clearance

#### You should keep:

- **Above the unit to any combustible surface** - e.g. cabinet above the unit: minimum clearance of **750 mm (30")**;
- **Below the unit** - between the bottom of the unit and any horizontal partition inside your cabinet: minimum clearance of **50 mm (2")**.



**Diva de Provence**  
**885 Don Mills Road, Suite 207**  
**Toronto, Ontario**  
**M3C 1V9**  
**C a n a d a**  
**Tel: (416) 256-2646**  
**Fax: (416) 256-7121**

## DDP- 3 Electric Hookup

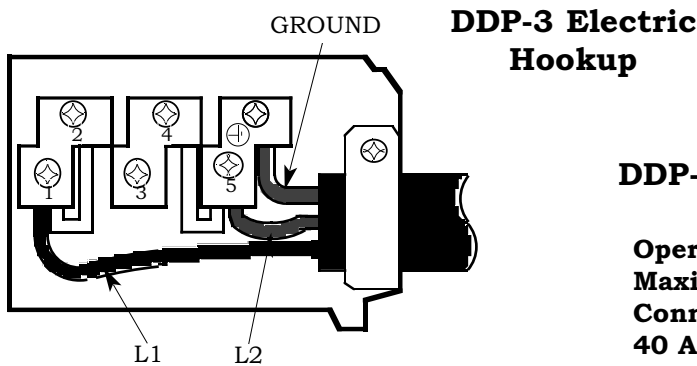
### Electrical Wiring Information

An adequate electrical supply must be provided for this unit. All wire connections and grounding must be done in accordance with local electrical codes, or if these codes are not established, then with the National Electrical Code, ANSI/NFPA No. 70 in the US , or with the Canadian Electrical Code, CAN/CSA C22.1, in Canada.

The unit must be properly grounded, otherwise it will not operate properly.

The owner should mark the circuit protector for the unit and should advise everybody who uses or services the cooktop on its location, so that the power to the unit can be disconnected when necessary.

It is recommended that the connection to electrical supply be done by a qualified electrician.



### DDP-3 Electrical Characteristics:

**Operating Voltage..... 220 V~ 60 Hz**  
**Maximum Connected Load ..... 7600 W**  
**Connect to .....220 V, 60 Hz, 2 Pole+G,**  
**40 A (min) supply (3 conductors #8 AWG)**

Schematic	Supply Voltage & Frequency
	208 V, 2 Pole +G, 60 Hz
	240 V, 2 Pole +G, 60 Hz

### Electric Hookup

It is owner's obligation to supply a proper conductor for connecting of this unit to the mains. The conductor must be routed and properly connected to an approved owner-supplied, electrical, wall, junction box at one end. The other end of the conductor must be connected to the terminals inside the cooktop's on-board junction box which is located on the bottom of the unit.

Note that the pertinent standard, UL 858, applied to connecting of a DDP-3 cooktop, calls for minimum #10 AWG wire size for all three leads (L1 and L2 conductor and the grounding conductor) - e.g. using SJOOW 10/3 rubberized cord is an acceptable solution for connecting of the unit to the wall junction box or receptacle.