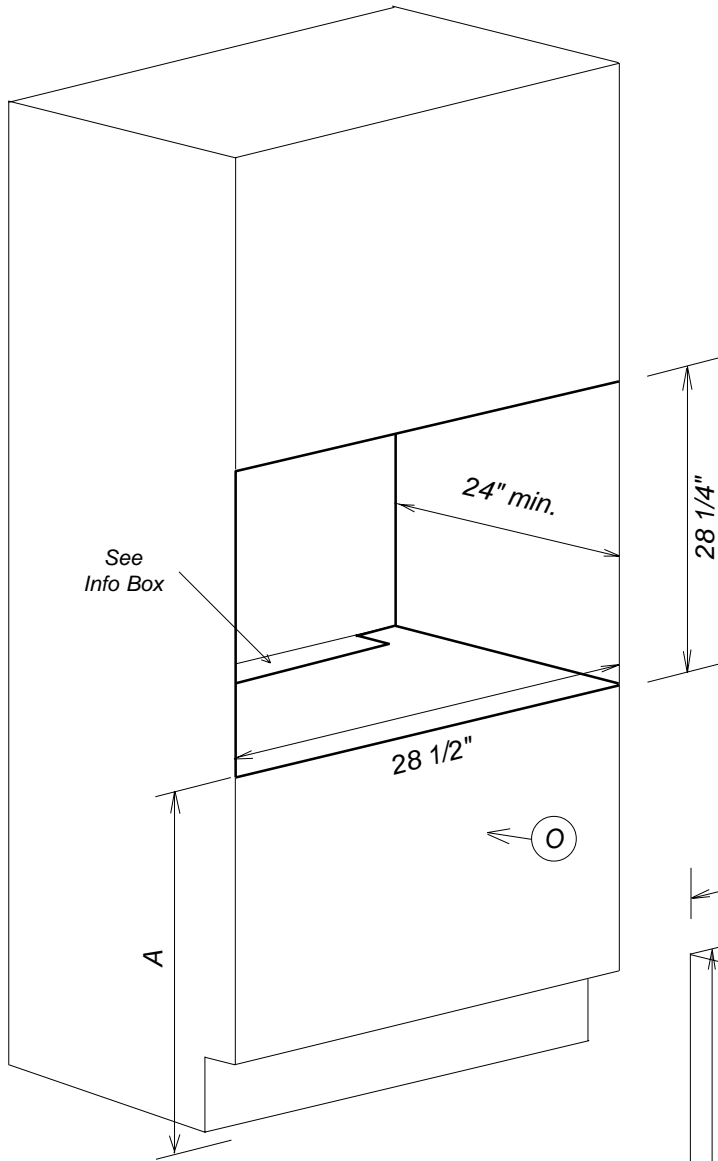


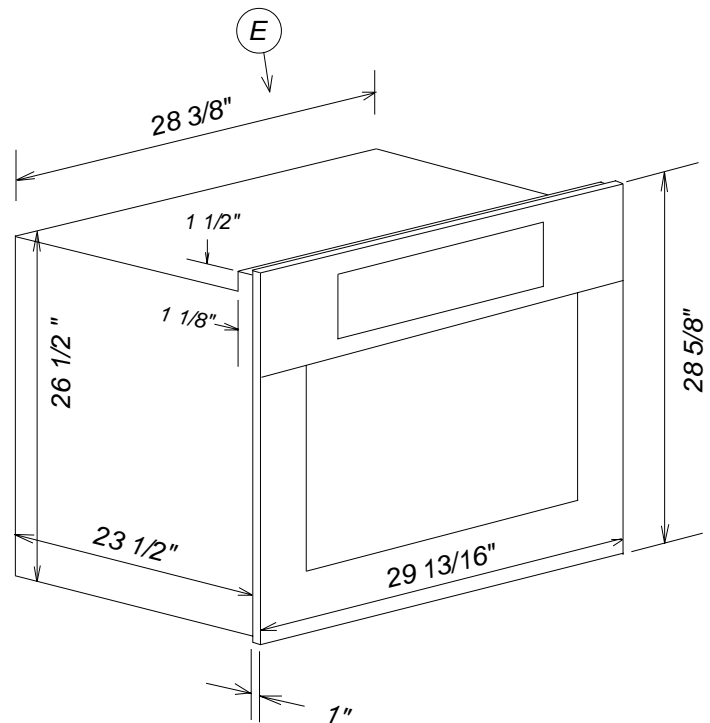
Product and Cut-out Dimensions

30" Single Oven

H4881BP



IMPORTANT INFORMATION
 For proper heat ventilation
 a 12" x 2" opening (24 sq inch)
 must be placed to the rear
 of the platform under the oven



Location Codes
E - 5 foot electrical main with pigtail connects upper rear right side
O - 208 - 240 Volt - 30 Amp connection box with 4 wires (2 lives / N / ground) Location must be accessible
A - Height to base of oven Locate 30" - 33" from floor Based on user height of 5'6" to 5'10"
Notes
• All installations must be done in accordance with local codes.

NOTE: Drawing is not to scale.
 SPECIFICATION SHEETS 010807