

# Isola

a tradition in island hoods

C L A S S I C

- island canopy rangehood
- traditional styling
- 600 cfm
- 4 halogen lights
- variable speed control
- disappearing control panel
- dishwasher safe grease filters
- convertible to ductless
- adjustable mounting system
- sone range: 3.5 - 6.5
- 3 1/4" x 10" duct



## Size/Color/Model #

36 x 24 Stainless	6044787
36 x 24 White	6044788
36 x 24 Black	6044789

*The Isola's classic design will bring harmony and style to your kitchen. Corners and edges are rounded for clean design and safety. Optional side utensil bars offer a convenient spot for your favorite cooking tools. This hood can also be used in front of a window, glass block or any other surface that is not strong enough to hold a wall mount hood. In these cases, the hood would simply suspend from the ceiling in front of the wall.*

a  
c  
c  
e  
s  
s  
o  
r  
i  
e  
s

### Utensil Bar

Stainless steel bar for hanging utensils under the sides of the canopy  
15 Stainless 6099924

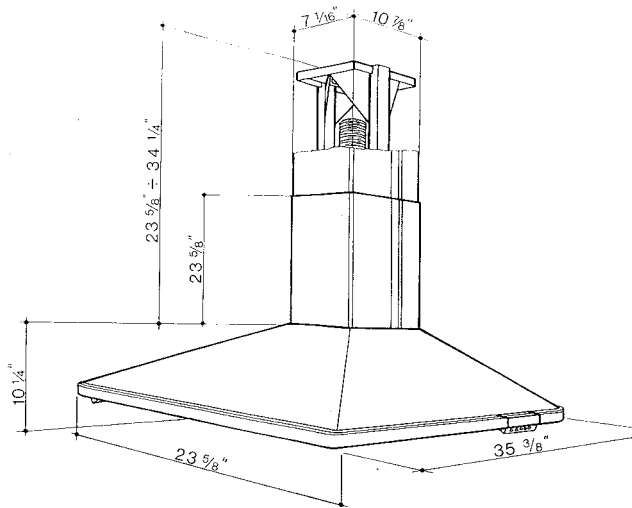
### Ductless Conversion Kit

Includes: • Lower Chimney with holes for ducting • Ductless Diverter • Vent Grates • Two Charcoal Filters  
Stainless 6097115  
White 6097116  
Black 6097117

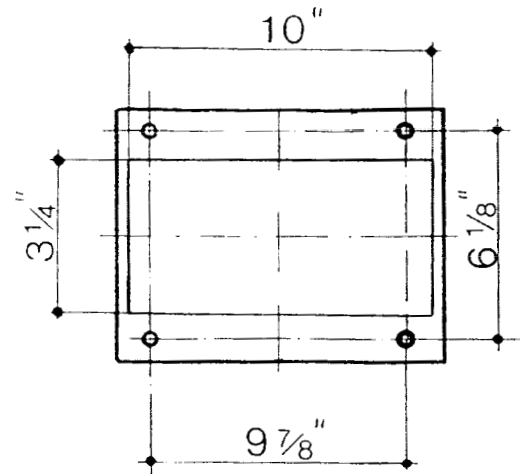
**Replacement Charcoal Filters** 6093034



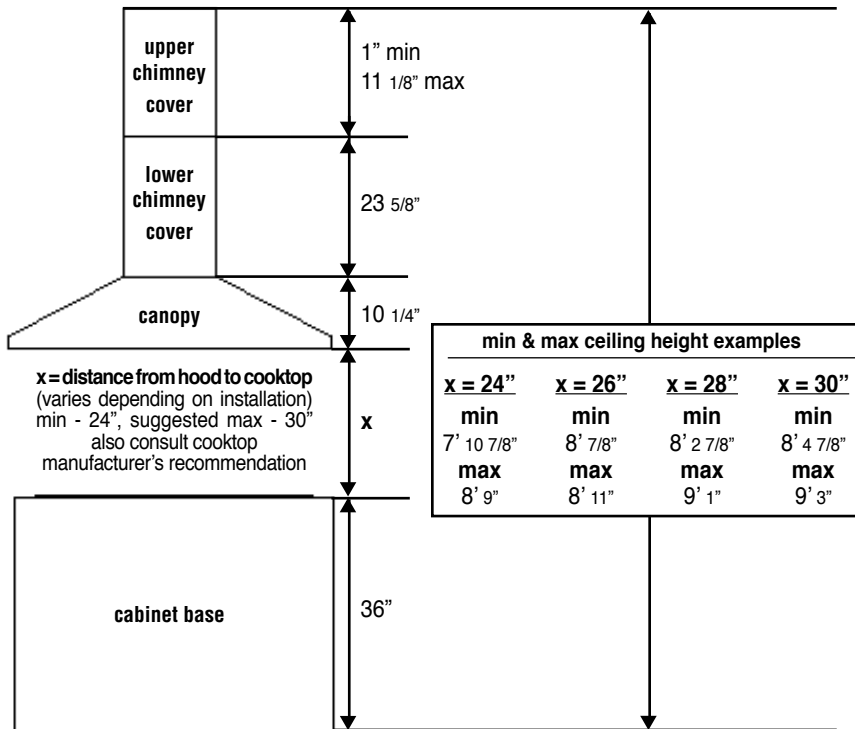
## Dimensional Diagram



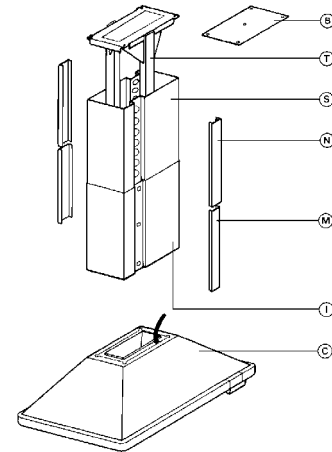
## Mounting Support Template



**Pre-Planning Your Installation - Important:** Consult the installation instructions before you begin installing this rangehood.



The Isola chimney is adjustable and designed to meet varying ceiling heights. The chimney can be adjusted for ceilings between 7' 10 7/8" and 9' 3" depending on the distance between the bottom of the hood and the cooktop (**distance x in left diagram**). For shorter ceilings, the entire chimney support (**T in below diagram**) must be recessed up into the ceiling. For higher ceilings, build a solid structure down and attach the chimney support to this structure.



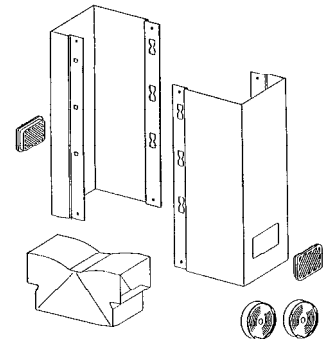
**Pre-Planning Your Ductwork - Important:** Consult the installation instructions before you begin installing this rangehood.

Make your ductrun as straight and short as possible. The ductrun should not exceed 35 equivalent feet if ducted with 3 1/4" by 10" rectangular duct. Count 45° angles as 3 feet, 90° elbows as 5 feet, and 90° flat elbows as 12 feet.

For best results, use no more than three 90° elbows. Make sure that there is a minimum of 24" of straight duct between elbows if more than one is used. Do not install two elbows together. If you must elbow right away, do it as far away from the hood's exhaust opening as possible.

### Ductless Installations

For installations where ductwork is impossible or highly impractical, a **Ductless Conversion Kit** is available. Charcoal filters which attach to the blower assembly, absorb smoke and odors. A ductless diverter directs the air out to a lower chimney with vent grates cut into the sides.



**WARNING!** Product specifications are subject to change without notification. Consult the installation instructions before you begin installing this rangehood.