

Single oven
Gaggenau 200 Series
Pyrolytic self-cleaning system
Width 24" (60 cm)
220-240V / 60Hz

Right-hinged

EB 270-600

Anthracite

EB 270-610

Stainless steel

EB 270-630

Aluminum

Left-hinged

EB 271-600

Anthracite

EB 271-610

Stainless steel

EB 271-630

Aluminum

Accessories included in the price:
 One wire rack, one baking tray,
 one broil pan, temperature probe,
 rotary spit.

EB 270/271-...

Universal heating system with
 ten heating methods.
 Oven interior volume: 2.4 cb.ft.

– **Large control panel with display.**
 The tailored partner for the Combi
 steam oven.

– **10 heating methods with baking
 stone/roaster function and
 rotisserie.** For almost all cooking
 methods including a brick oven
 and international dish preparation.

– **Exact temperatures thanks to
 electronic control and temperature
 probe.** Stress-free cooking for and
 with guests.

Electronic precision temperature
 control between 120°F – 570°F,
 from 120°F – 170°F in 5°F
 increments and from 170°F– 570°F
 in 10°F increments.

100 W halogen lighting.

Super Quick preheating.

Large function display.

Automatic cooking timer.

Actual temperature display:

“Thermo Test”.

Meat probe programmable with
 digital read out from 85°F to
 210°F and automatic shut-off
 function.

Universal heating system with
 the following heating modes.

Economy program.

Proofing.

Baking stone socket.

Rotisserie rotary spit.

Smart pyrolytic self-cleaning.

Porcelain interior.

Catalyst for air cleaning.

Cooled housing.

Heat-insulated door with
 four-fold glazing.

Child and vacation lock.

Glass door opening through 180°.

Optional accessories	KB 110-046 Glass tray.
	PS 026-001 Baking stone with pizza spatula, without heating element.
	BT 026-001 Cast roaster, without heating element.
	HZ 026-001 Heating element for baking stone and cast roaster.

See page 13 for accessories.

Planning notes:

4' Power cable (hardwire required).

Hinging must be specified when
 ordering as the door is not
 interchangeable.

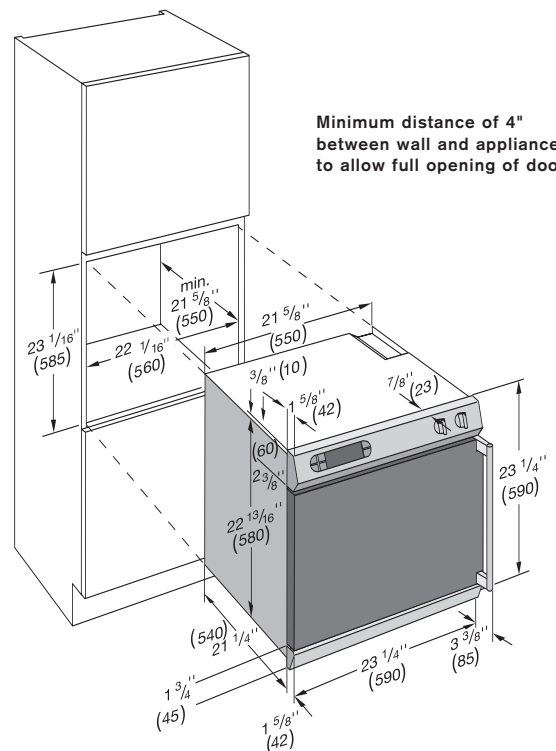
When planning a corner solution,
 pay attention to the 90° door
 opening angle.

Plan a minimum distance of 2"
 between two ovens installed
 side by side when handles in the
 middle – or 3/4" when centered
 around hinged sides.

Depth of handle: 3 3/8".

Total rating: 3.7 kW

Total Amps: 16



Numbers indicated
 inside parenthesis () = mm