



42" BUILT-IN PANEL-READY REFRIGERATOR **E42BS75ETT**
professional series



42" Built-In Panel-Ready Refrigerator Specifications

- Product Weight – 600 Lbs.
- Voltage Rating – 120V/60 Hz/15 or 20 Amps
- Electrical supply with grounded branch circuit or circuit breaker recommended. Install grounded 3-prong electrical receptacle recessed into rear wall. (See *Local Electrical Codes*.)
- Cutout must be prepared with electrical and water supply.
- Water line can enter opening through floor or rear wall. Copper tubing recommended between cold water line and water connection location. Water line tubing recommended is 48" minimum length by 1/4" diameter. Installation of easily accessible shutoff valve in water line required.
- Optimum door swing factory set for 130°. When installing next to wall where handle may make contact, allow 4" minimum clearance for 90° door swing. At 90° door stop position, drawer access will be maintained but removal will be restricted.
- Refrigerator must be placed on level surface of hard material, same height as flooring. Surface must support approximately 1500 lbs. when fully loaded. Unit equipped with 4-point leveling.
- Door handles designed to accommodate both framed or custom panels. For 3/4" custom panel installation, refer to Product Installation Guide on web for optimum handle clearance.

Custom Panel Specifications

- For detailed information on 1/4" framed or custom panel installation, refer to instructions stated above. For 3/4" custom panels, refer to Product Installation Guide on web.
- When using custom panels, refer to Product Installation Guide on web to determine door swing interaction with adjacent cabinets and countertops.

Note: Refer to Product Installation Guide for detailed instructions on the web at www.electroluxusa.com.

True Built-In Panel-Ready

Stainless steel trim and full-length extruded handles accept custom or decorative panels to blend harmoniously with your kitchen decor. Dispenser fascia is black.

PureAdvantage™ Filtration System

The most advanced water filtration system available offers cleaner, fresher ice and water. And it is simple to operate, providing a light that alerts when the filter needs to be changed. With one touch, the drip-free cartridge is replaced.

Dynamic Cool™ with Easy Set™ Digital Temperature Control System

Sensor-controlled chilling with dual evaporator cooling system. Amazingly consistent interior temperature will keep your food fresher longer.

Showcase Interior Illumination

Tri-level lighting with ultrawhite bulbs reduces shadows and illuminates contents for easy visibility regardless of shelf placement.

Easy Access Ice Maker Door

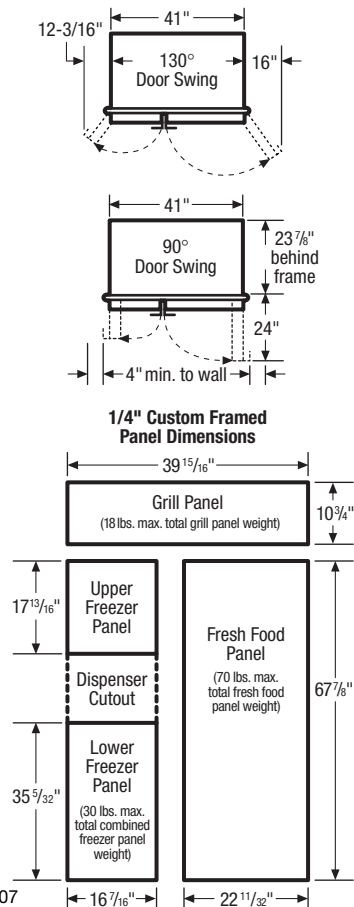
Ice and water are accessible from inside the freezer door, allowing you to fill larger containers effortlessly.

SpillSafe™ Full-Depth Shelving

Shelves contain spills of up to 24 ounces for quick and easy cleanup and fully extend for complete access to all contents.

Express Ice™

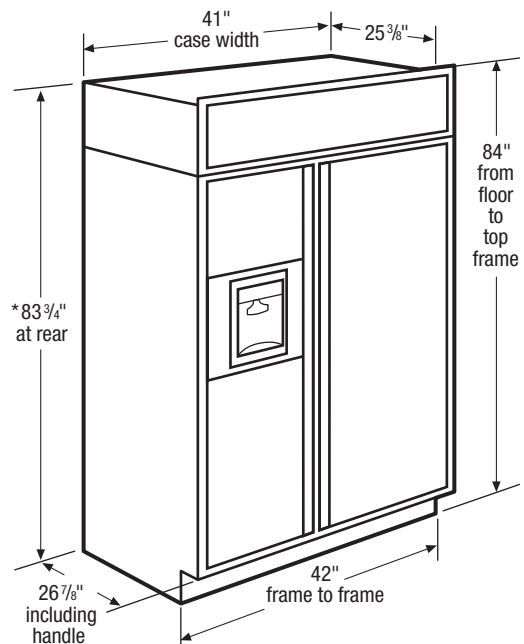
Creates ice according to your family's needs with the touch of a button.



42" BUILT-IN PANEL-READY REFRIGERATOR

CAPACITIES	
Total Capacity	25.2 Cu. Ft.
Fresh Food Volume	15.6 Cu. Ft.
Freezer Volume	9.6 Cu. Ft.
ICE / WATER DISPENSER	
Electronic Touch Control	Yes
Night Light	Yes
Temperature Display	Yes
Crushed/Cubes/Water	Yes
Express Ice™	Yes
Lock	Yes
Filter Reset	Yes
Interior Easy Access Door	Yes
FRESH FOOD CONVENIENCES	
Filtration System	PureAdvantage™
Filter Location	Front
Door Ajar Alarm	Yes
SpillSafe™ Shelving	3
Smooth-Glide™ Crisper Drawers	3
Humidity Controls	2
1-Gallon Fixed Door Bin	1
2-Liter Adjustable Door Bin	3
Dairy Compartment with Clear Door	1
Door Bin Snugglers	3
Showcase Interior Illumination	Yes
Dynamic Cool™ Digital Temperature Control System	Yes
FREEZER CONVENIENCES	
Automatic Ice Maker with Ice Server	Factory Installed
Smooth-Glide™ Baskets	2
Fixed Door Bin	3
Dual-Level Lighting	Yes
INSTALLATION	
Adjustable Rollers	Yes
Door Stops	Yes
ACCESSORIES	
SPECIFICATIONS	
Cutout Dimensions –	
Height	83-1/2" min. 84-1/2" max.
Width	41-1/2"
Depth	24"
Product Weight	600 Lbs.
Shipping Weight	610 Lbs.
UPC (0-12505-)	69167-6

NOTE: Always consult local and / or national electric codes. Refer to Product Installation Guide for detailed installation instructions on the web at www.electroluxusa.com.



High standards of quality at Electrolux Home Products mean we are constantly working to improve our products. We reserve the right to change specifications or discontinue models without notice.



USA • 250 Bobby Jones Expressway • Augusta, GA 30907
 1-877-4electrolux (1-877-435-3287) • www.electroluxusa.com

CANADA • 5855 Terry Fox Way • Mississauga, ON L5V 3E4
 1-800-668-4606 • www.electroluxca.com