



36" WALL-MOUNT RANGE HOOD **E36WV100FS**
designer series



36"-Wide Wall-Mount Range Hood Specifications

- Wall-Mount Installation
- Electrical Requirements – 120 Volts AC, 15 or 20 Amps, 60 Hertz
- Always consult local and/or national electric codes.
- Vent unit outside of building only.
- Diameter of Exhaust Duct Required – 8"
- Thermal breaks such as short section of nonmetallic duct, should be used in areas of extreme cold.
- For most efficient airflow exhaust, use a straight run or as few elbows as possible.
- Use metallic flex ducting only to connect rigid duct directly to transitions (if allowed by code).
- Cold weather installations should have additional backdraft damper installed.
- For most efficient operation, position hood low to cooktop. Recommended installation is 24" - 30" above countertop.

NOTE: Always consult local and/or national electric codes. Check local building codes for installation requirements, as they may vary per locale.

Refer to Product Installation Guide for detailed instructions on the web at electroluxusa.com.

Three-Speed, Dual-Centrifugal Blower

The 1,000 CFM fan provides ample power to remove the most persistent food and cooking aromas.

Precision Slide Controls

Conveniently located for safe and easy access, the intuitive slide controls adjust with absolute accuracy.

Dual Halogen Lighting

Two overhead halogen bulbs evenly illuminate the cooking surface and provide abundant light to enhance the cooking experience.

Washable Stainless Steel Filters

Saturated filters can be rinsed and cycled through the dishwasher. The stainless steel filter provides strength and durability not found in foam filters.

Intelligent Heat Sensor

The ventilation system that is designed to work in concert with your cooktop or range. As the cooking surface temperature increases, the blower fan automatically starts.

36" RANGE HOOD

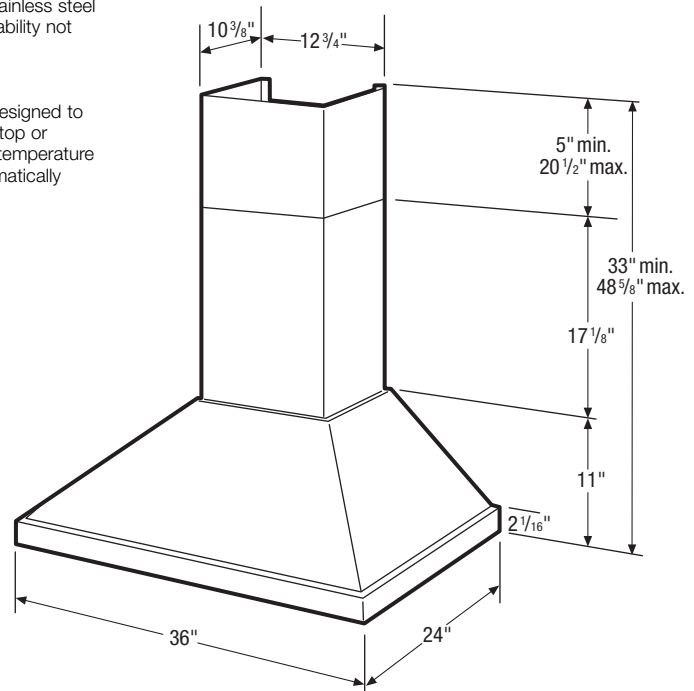
Nominal Width	36"
Installation Type	Wall Mount
Intelligent Heat Sensor	Yes
Air Discharge	Vertical
Air Delivery	1,000 CFM
Blower Type	Dual Centrifugal
Controls	Standard Slide
Fan Speeds	3
Halogen Lights	2
Washable Stain Steel Filters	Yes
Exhaust Duct	External
Diameter of Duct	8"

SPECIFICATIONS

Electrical – 120 V AC/60 Hz/15 or 20 Amps	Required
Shipping Weight	75 Lbs.
Sones Rating	10.0
UPC (0-12505-)	55797-2

NOTE: Always consult local and/or national electric codes. Check local building codes for installation requirements, as they may vary per locale.

Refer to Product Installation Guide for detailed instructions on the web at electroluxusa.com.



Dimensions from base of hood to ceiling, and include clearance required for installation.



USA • 250 Bobby Jones Expressway • Augusta, GA 30907
1-877-4electrolux (1-877-435-3287) • electroluxusa.com

CANADA • 5855 Terry Fox Way • Mississauga, ON L5V 3E4
1-800-668-4606 • electroluxca.com