



**32" Upright Built-In All-Freezer\* Specifications**

- Product Weight – 241 Lbs. approx.
- An electrical supply with grounded three-prong receptacle is required. The power supply circuit must be installed in accordance with current edition of National Electrical Code (NFPA 70) and local codes & ordinances.
- Power Supply Circuit – 115V/60 Hz/ 15 or 20 Amps
- Always consult local and/or national electric & plumbing codes.
- Water line can enter opening through floor or rear wall. Copper tubing recommended between cold water line and water connection location. Water line tubing recommended is 48" minimum length by 1/4" diameter. Installation of easily accessible shutoff valve in water line required.
- When installing next to wall where handle may make contact, allow 4" minimum clearance for 90° door swing. At 90° door stop position, drawer access will be maintained but removal will be restricted.
- Freezer must be placed on level surface of hard material, same height as flooring. Surface must support approximately 1500 lbs. when fully loaded. Unit equipped with 4-point leveling.

\* Shown with optional trim kit.

NOTE: Refer to Product Installation Guide for detailed instructions on the web at [electroluxusa.com](http://electroluxusa.com).

**Dynamic Cool™ with Easy Set™ Digital Temperature Control System**

Amazingly consistent interior temperature will keep your food fresher longer.

**Illumination Solutions**

Transition lighting that is so thoughtfully designed that it gradually illuminates the interior of the refrigerator with soft but ample light.

**Smooth-Glide™ Full-Extension System**

Freezer storage drawers slide in and out with ease, extending completely for convenient access to stored food.

**SpillSafe™ Full-Width Glass Shelves**

3 SpillSafe™ glass shelves can contain spills up to 24 ounces.

**Clear Sliding Storage Drawers**

Full-Access Clear Sliding Storage Drawers allow you to organize and store frozen food easily and provides complete visibility of contents.

**Tilt-Out Wire Door Bins**

Help you store a variety of frozen food items in a smaller space.

**Stainless Steel Trim Kits**

Order stainless steel trim kits, for built-in individual or side-by-side configuration, including black 4" riser with leveling system, top grill, toe kickplate and side trim pieces for an integrated look.

**32" UPRIGHT BUILT-IN ALL-FREEZER**

**CAPACITIES**

Total Capacity	16.8 Cu. Ft.
Total Shelf Area	17 Sq. Ft.

**INTERIOR CONVENIENCES**

PureAdvantage™ Air Filter	Yes
SpillSafe™ Sliding Glass Shelves	3
Fixed Glass Shelf	1
Smooth-Glide™ Full-Extension Storage Drawers	2
3-Position Adjustable Storage Drawer Dividers	2 per Drawer
Tilt-Out Tall Door Wire Bin	1
Tilt-Out Short Door Wire Bins	2
White Adjustable Door Bins	2
Dual 40W Short Blue Tinted Interior Light	Yes
Transition Lighting	Yes
Mid-Level Lighting (2 - 25W Short Blue Tinted)	Yes
Dynamic Cool™ Digital Temperature Control System	Yes
Ice Maker	Yes
Door Closer	Yes

**SPECIFICATIONS**

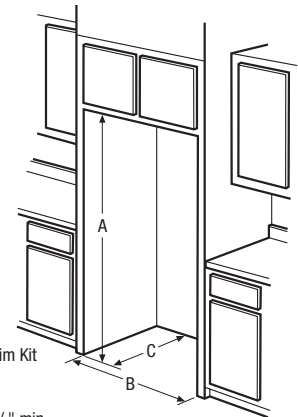
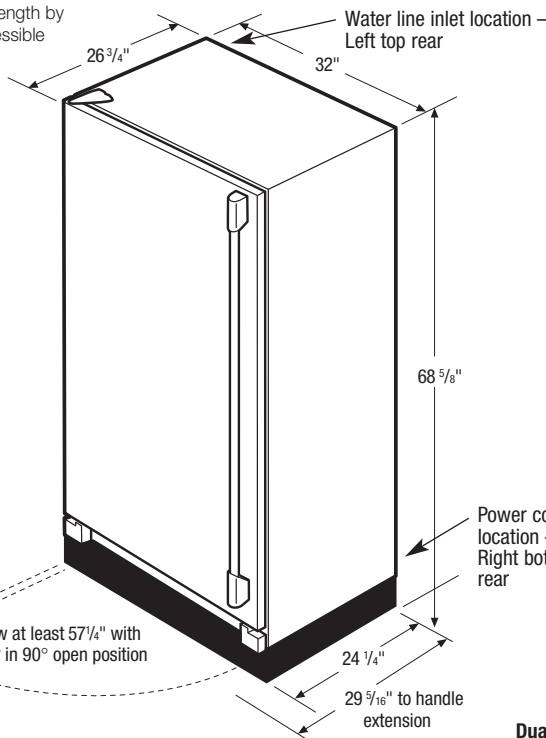
Product Height – w/ 4" Riser**	68-5/8"
Width	32"
Depth (Including Door)	26-3/4" min.
Depth (with Door Open 90°)	57-1/4" min.
Product Weight	241 Lbs. approx.
Shipping Weight	268 Lbs. approx.
UPC (0-12505-)	22476-8

**OPTIONS**

All-Freezer Unit Trim Kit**	Part # SFRRSRKIT
All-Freezer / All-Refrigerator Trim Kit**	Part # DUORSRKIT

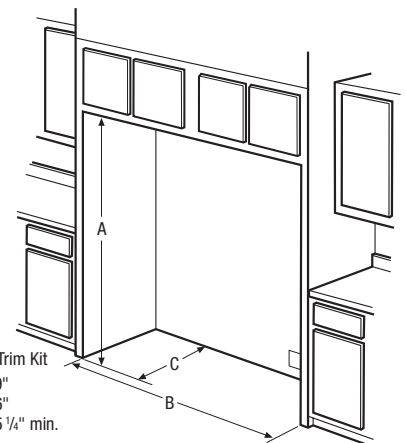
\*\* When ordering for All-Freezer Unit (E32AF75FPS) specify part # SFRRSRKIT or for All-Freezer / All-Refrigerator Units (E32AF75FPS / E32AR75FPS) specify part # DUORSRKIT which includes 4" riser with leveling system and vented trim kit.

NOTE: Always consult local and /or national electric codes. Refer to Product Installation Guide for detailed installation instructions on the web at [electroluxusa.com](http://electroluxusa.com).



**Single Unit Rough-In Dimensions**

Without Trim Kit	With Trim Kit
(A) 66"	(A) 79"
(B) 33"	(B) 33"
(C) 25 1/4" min.	(C) 25 1/4" min.



**Dual Unit Rough-In Dimensions**

Without Trim Kit	With Trim Kit
(A) 66"	(A) 79"
(B) 66"	(B) 66"
(C) 25 1/4" min.	(C) 25 1/4" min.



USA • 250 Bobby Jones Expressway • Augusta, GA 30907  
1-877-4electrolux (1-877-435-3287) • [electroluxusa.com](http://electroluxusa.com)

CANADA • 5855 Terry Fox Way • Mississauga, ON L5V 3E4  
1-800-668-4606 • [electroluxca.com](http://electroluxca.com)