

HIGH-SPEED OVEN **E30S075ESS**
designer series



High-Speed Oven Specifications

- Product Weight – 115 Lbs.
- Connected Load (kW Rating) – 240 Volts = 4.0 kW
- Amps @ 240 Volts = 15 Amps
- Single phase 3- or 4-wire cable, 240 Volt, 60 Hertz AC only electrical supply with ground required on separate circuit fused on both sides of line.
- Always consult local and/or national electric codes.
- Allow at least 12" clearance for oven door depth when open.
- Minimum 22-3/4" deep, oven cutout dimension is critical for proper installation. If oven's face profile does not fit flush against cabinet, or if noise is heard from oven's convection system, verify dimension.
- Full oven base of solid plywood or similar material required, capable of supporting 130 Lbs.
- Base must be level and cabinet front must be square.

Under-Counter Installation Specifications

- High-Speed Oven can also be installed under counter. (Refer to *Under-Counter Installation Specifications on the web.*)

Note: Can be used in under-counter installation beneath a cooktop. Select Electrolux ICON™ drop-in cooktop models are compatible, NOT slide-in models.

Combination High-Speed Oven/ Built-In Oven Specifications

- High-Speed Oven can be used alone or in combination with any Electrolux ICON™ Single Oven. (Refer to *Combination Installation Specifications on the web.*)

Note: Refer to *Product Installation Guide for detailed instructions on the web at www.electroluxusa.com.*

Wave-Touch™ Control Panel Technology

Just a light touch anywhere in the live control panel activates the lighted controls. Three-line, thirty-digit display explains every step and even provides helpful hints and tips.

Practical, Complementary Design

Stainless steel exterior, sturdy handle on the pull-down door for easy opening and increased placement options.

Automatic Settings

84 cooking selections and preprogrammed recipes ensure endless cooking options and yield perfect results.

Cooking Mode Options

This appliance makes cooking faster, easier and better by combining a high-speed, convection and microwave oven into one versatile package. This high-performance oven allows you to bake, brown, grill or roast with ease.

Temperature Control

100°, 150°, 275° – 450° in 25-degree increments.

HIGH-SPEED OVEN

Oven Cavity	1.1 Cu. Ft.
Watts (IEC-705 Test Procedure)	1000
Oven Interior	Stainless Steel
Interior Light	Yes
Porcelain Enamel Turntable (Diameter)	13"

PANEL FEATURES

Electronic Clock & Timer	Yes
Glass Wave-Touch™ Control with Blue LED Display	Yes
Automatic Settings	
Basic Cook	84
Recipes	100
Microwave Options	17
Speed Bake	Yes
Speed Roast	Yes
Speed Grill	Yes
Convection	Yes

POWER RATINGS

Microwave	1.7kW, 7.5 Amps
Convection	3.1kW, 13 Amps
Speed Cooking	3.2kW, 13.5 Amps
AC Line Voltage	240V, 15 Amps, 60Hz, AC only

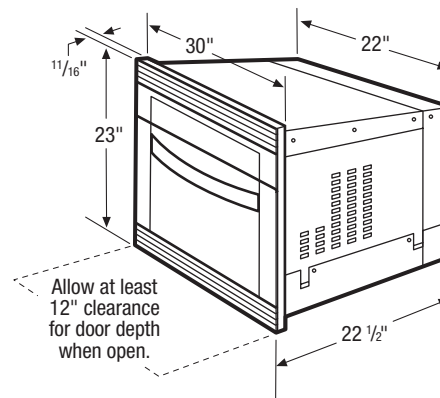
ACCESSORIES

Cookbook	Included
High and Low Racks	Included

SPECIFICATIONS

Cutout Dimensions –	
Height	21-11/16" min. 21-15/16" max.
Width	22-3/8" min. 22-5/8" max.
Depth	22-3/4"
Product Weight	115 Lbs.
Shipping Weight	122 Lbs.
UPC (0-12505-)	55712-1

NOTE: Always consult local and/or national electric codes. Refer to *Product Installation Guide for detailed installation instructions on the web at www.electroluxusa.com.*



USA • 250 Bobby Jones Expressway • Augusta, GA 30907
1-877-4electrolux (1-877-435-3287) • www.electroluxusa.com

CANADA • 5855 Terry Fox Way • Mississauga, ON L5V 3E4
1-800-668-4606 • www.electroluxca.com