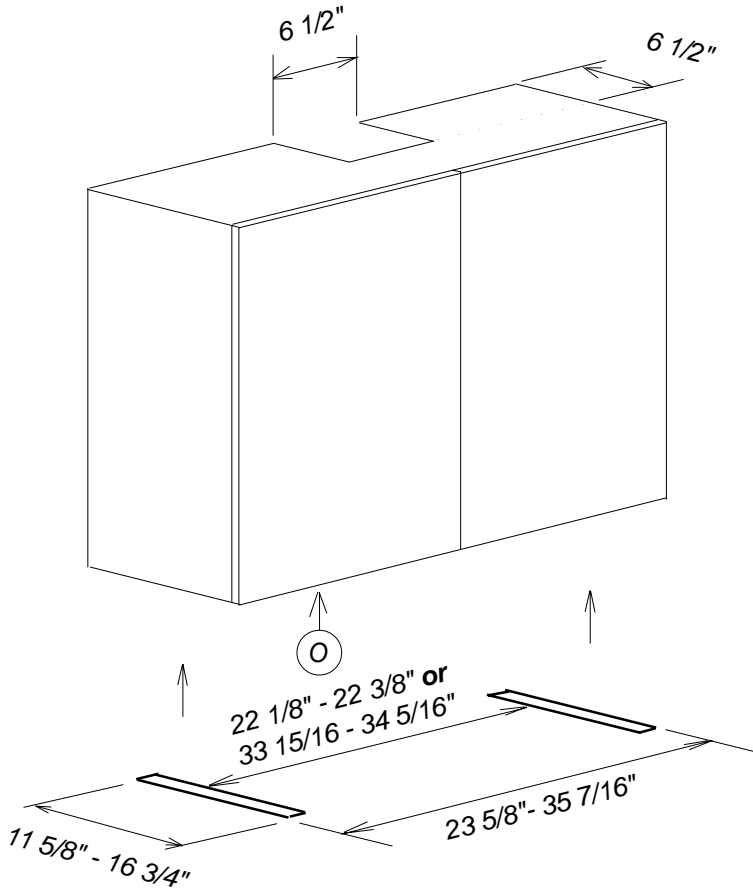


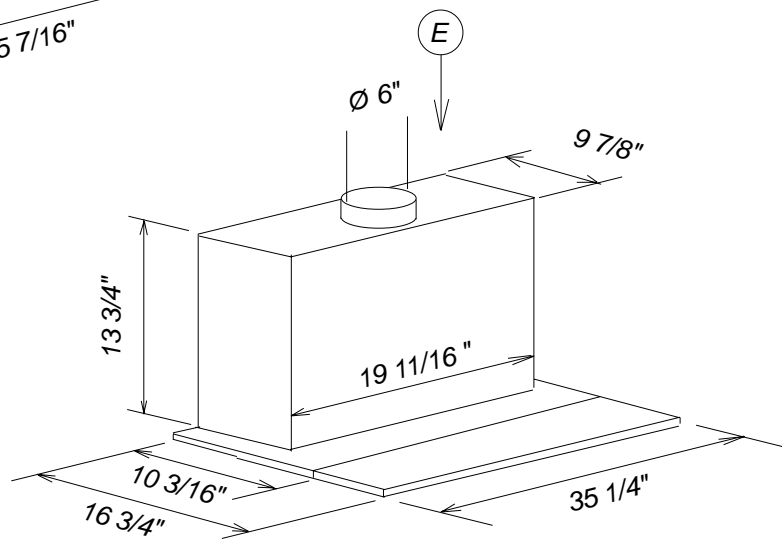
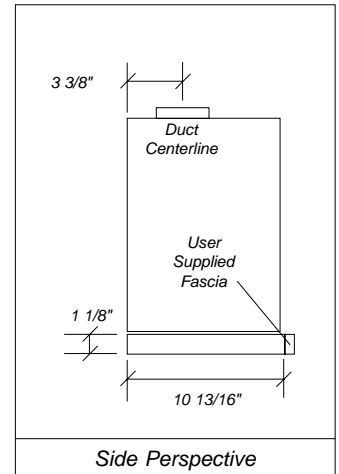
Product and Cut-out Dimensions Built-in Ventilation System DA3190



IMPORTANT INFORMATION

Unit must be installed through the front of the cabinet. Cabinet should not be designed with lower rail.

Unit may be installed in cabinets with the following widths: 24", 36", 60cm, 90cm



Location Codes	
E -	5 foot - 120 Volt - 15 Amp 3-wire molded plug power supply connects right rear top.
O -	Standard 110 Volt outlet
Notes	
<ul style="list-style-type: none"> The following minimum spacing must be maintained between hood and: 	
Electric cooktops:	18 inches
Gas cooktops:	26 inches
Open electric grill:	26 inches
<ul style="list-style-type: none"> All installations must be done in accordance with local codes. 	

NOTE: Drawing is not to scale.
SPECIFICATION SHEETS 150103